

Strong GLADIATOR IV™

Type 47070

“Follow with the Leader”

F E A T U R E S

- ✓ “Cold” Metal Reflector, 5600° K.
- ✓ Color-Matching Available when Ordering Multiple Units
- ✓ Six-Color, Self-Cancelling Boomerang – Choose Center-Mounted with Dichroic Color Filters (as shown) or conventional Front-Mounted with Color Gels
- ✓ Horizontal Masking Control/Masking Shutter Blades
- ✓ Manual Dimming Control
- ✓ Nichrome Steel Iris
- ✓ Spot Size and Edge Focus Controls
- ✓ Selectable-Height Floor Stand with adjustable Friction Controls for both Vertical and Horizontal movement
- ✓ Cooling Fans fully enclosed for quiet operation
- ✓ Digital Elapsed Hours & DC Volt/Ammeter Display on Lamphouse Instrument Panel



*The Standard by which
All Other Spotlights
are Measured*

The Gladiator IV offers large venue operators and lighting designers a new option at this level. The 4000 watt Gladiator IV, like all other Strong xenon follow spotlights, is durably constructed and built for prolonged use in fixed and “road” situations.





GLADIATOR IV™

ELECTRICAL SPECIFICATIONS

- 4000 watt Xenon Bulb system; input line 1 or 3 phase 208/230 V.AC, 50/60 Hz. Approximate line draw 25 A. nominal sustaining. Fuse for 30 amperes at 220 V.AC.
- Continuous Duty Cycle
- Quick-Disconnect MS Connectors contains all AC & DC leads
- Xenon Power Supply is 88% efficient; ripple does not exceed 3% peak-to-peak, and inrush current does not exceed 180%

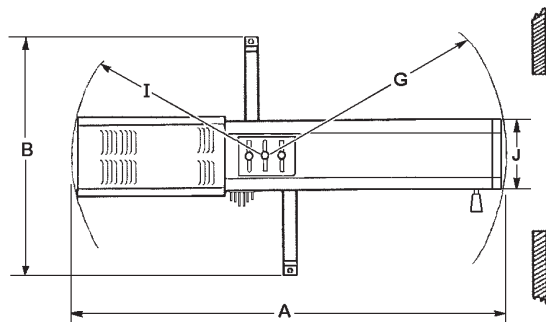
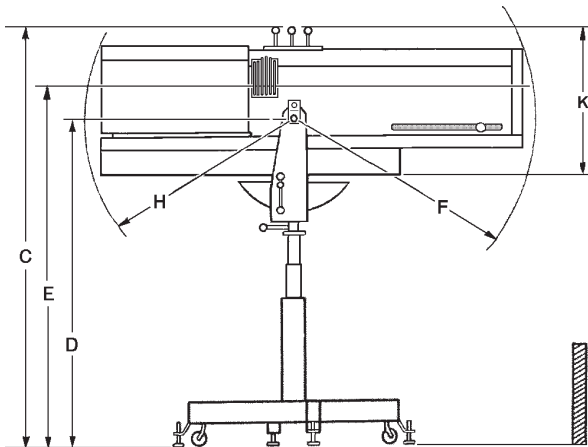
GLADIATOR IV

PRELIMINARY

4000 W. Xenon

Figures based on measurements at 100', 70% field coverage, with new bulb

Throw Distance		Small (Spot) with Iris open				Minimum Diameter Iris closed			
		Diameter		Intensity		Diameter		Intensity	
Feet	Metres	Feet	Metres	FC	Lux	Inches	Metres	FC	Lux
100	32.8	6.1	2	4,428	47,664	14.5	0.37	4,428	47,664
150	49.2	9.2	3	1,968	21,184	21.8	0.55	1,968	21,184
200	65.6	12.2	4	1,107	11,916	29	0.74	1,107	11,916
250	82	15.3	5	708	7,626	36.3	0.92	708	7,626
300	98.4	18.3	6	492	5,296	43.5	1.1	492	5,296
350	114.8	21.4	7	361	3,891	50.8	1.29	361	3,891
400	131.1	24.4	8	277	2,979	58	1.47	277	2,979
450	147.5	27.4	9	219	2,354	65.3	1.66	219	2,354
500	163.9	30.5	10	177	1,907	72.5	1.84	177	1,907
550	180.3	33.6	11	146	1,576	79.8	2.03	146	1,576



MECHANICAL SPECIFICATIONS

Letter/Description/Dimension

A Overall length of unit	81"	K Overall height of head unit	24.75"
B Overall width of unit	45"		
C* Overall height of unit	69"	Maximum height at rear with	
D* Height of pivot point	43"	maximum downward tilt*	80°
E* Height of beam when		Maximum height at front with	
horizontal	47"	maximum upward tilt*	85°
F Front clearance radius for		Maximum downward tilt	56°
vertical movement	52"	Maximum upward tilt	67°
G Front clearance radius for		Horizontal sweep	360°
horizontal movement	48"		
H Rear clearance radius for		Net weight:	
vertical movement	33"	Spotlight Head & Base Stand	310 lb.
I Rear clearance radius for		Xenon Power Supply	74 lb.
horizontal movement	32"	Gross weight (crated)	750 lb.
J Width of head unit		Domestic pack shipping	
(without boomerang)	14"	crate	96" x 44" x 26"
- Protrusion of color arms	3.5"		

* Measurements shown with spotlight at lowest height. Adjustable upward in two increments of (4) inches.

Strong Entertainment Lighting

4350 McKinley Street • Omaha NE 68112 USA
Tel 402/453-4444 • Fax 402/453-7238