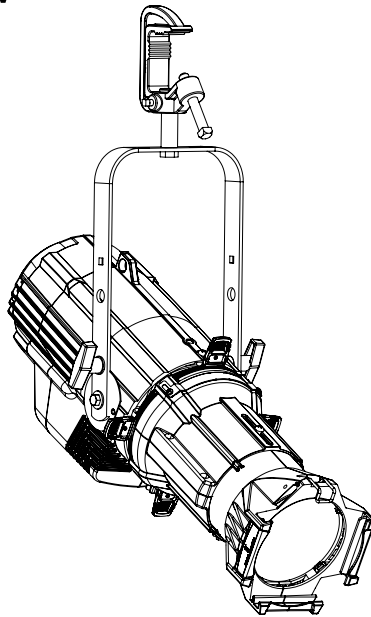




100V 115/120V 230/240V



GENERAL INFORMATION

The **Source Four LED** is the merging of the Source Four® and Desire® product lines. It offers the high-quality optics and control of a Source Four with the grace and powerful color control of Desire.

**Source Four LED Lustr+** fixtures are based on the x7 Color System™, utilizing six colors plus high-intensity white to achieve true, usable broad-spectrum color. Rich, vibrant colors as well as subtle theatrical tints, are all possible with this color-changing fixture. Explore new opportunities by pairing with incandescent light from the ETC's original Source Four line of fixtures to provide maximum flexibility and range.

**Source Four LED Daylight** units are high-output non-variable white light fixtures with a 5600K color temperature.

**Source Four LED Tungsten** models are non-variable white light fixtures with a 3000K color temperature.

Lustr+, Daylight and Tungsten light engines work with all Source Four lens tubes to deliver a high-quality controllable beam of LED light. For the best results, it is highly recommended that EDLT versions are used. We also offer a special LED-only version of the 50° lens tube.

ORDERING INFORMATION

**Source Four LED Light Engine with Shutter Barrel**

(For use with fixed-field lens tubes only)

MODEL	DESCRIPTION
S4LEDLS	Source Four LED Lustr+ with shutter barrel, black
S4LEDTS	Source Four LED Tungsten with shutter barrel, black
S4LEDDS	Source Four LED Daylight with shutter barrel, black

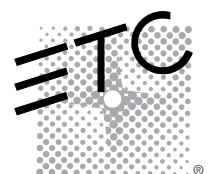
**Source Four LED Light Engine Body**

(For use with zoom lens tubes and retrofit of existing fixtures)

MODEL	DESCRIPTION
S4LEDL	Source Four LED Lustr+ – body only, black
S4LEDT	Source Four LED Tungsten – body only, black
S4LEDD	Source Four LED Daylight – body only, black

Color options: -1 = White, -5 = Silver Gray/Custom Colors  
 Fixture ships with a soft-focus diffuser in the gobo holder and a five-foot PowerCon power input cable with connector of choice. See page 2 for connector options.

**Please note: Lens tubes to be ordered separately.**



**SPECIFICATIONS**

**GENERAL**

- 60-LED array
- ETL listed to UL1573 – the standard for stage and studio lighting units
- IP20-rated for indoor use
- Power and DMX in/thru connections for easy setup
- User-friendly control interface with multiple modes and fixture settings

**PHYSICAL**

- Rugged die-cast, all-metal housing
- Available in black (standard), white or silver (optional) or custom colors (contact factory)
- C-clamp
- Positive locking double-clutch fixture body
- Slot for glass or stainless steel patterns and Soft Focus Diffuser
- Wide accessory slot with sliding cover for motorized pattern devices or optional iris
- Hanging yoke standard. Optional yoke/floor stand available

**ELECTRICAL**

- 100VAC to 240VAC 50/60 Hz universal power input
- Neutrik power in and thru connections
- Requires power from a non-dim source
- Up to nine fixtures (15A max) may be linked via power thru connector (ten fixtures total per circuit) when used with R20 Relay Module or Unison Echo Relay Panel. Consult breaker trip curves when used with other equipment
- Inrush
  - 120V: 11A (First half-cycle)
  - 240V: 15A (First half-cycle)

**LED\***

- 50,000-hour LED life (50,000 hours to 70% intensity)
- 60 Luxeon® Rebel LED emitters

\*See additional LED notes on page three

**COLOR**

- Exclusive x7 Color System™ seven-color LED array
- Beautifully illuminates skin tones and other objects for natural appearance and high color rendering
- Broad-spectrum color interacts seamlessly with conventional sources
- Exclusive red-shift option emulates tungsten dimming performance

**OPTICAL**

- Available with Lustr+, Daylight or Tungsten LED arrays
- Use the included soft-focus diffuser for creating washes or soft light
- Best performance using ETC's EDLT lens tubes
- Can use all ETC Source Four interchangeable lens barrels: 5°, 10°, 14°, 19°, 26°, 36°, 50°, 70°, and 90° field angles, as well as 19°, 26°, 36°, and 50° EDLT lenses
- For better performance, use the new LED 50° barrel

**CONTROL**

- DMX512 in and thru via five-pin XLR connectors
- Multiple control options including RGB, strobe, and console-free Master/Slave mode
- See DMX Control Table for additional information
- 15-bit virtual dimming engine provides smooth, high-quality theatrical fades and minimizes color shift during dimming
- RDM functionality for address and setting changes

**SPECIFICATIONS**

**THERMAL**

- Ambient operating temperature of -4° to 104°F (-20° to 40°C)
- Active electronic thermal management for droop-free operation
- Quiet fan cooling
- Fixture is designed for continuous operation up to 104°F (40°C) ambient temperature and requires free flow of air around fixture housing

**ADDITIONAL ORDERING INFORMATION**

**Power Input Cables**

Use information below to order 5' power input leads with factory-fitted connectors

MODEL	DESCRIPTION
DPA-A	5' PowerCon™ to parallel blade U-ground (Edison) connector
DPA-B	5' PowerCon to 20A two-pin and ground (stage pin) connector
DPA-C	5' PowerCon to grounded 20A twistlock connector
DPA-X	5' PowerCon to bare-end power input lead

**Power Thru Jumpers**

Note: Power thru jumpers connect to fixture's output (thru) connector to provide link to successive fixtures

MODEL	DESCRIPTION
DPJ-5	5' PowerCon to PowerCon fixture to fixture jumper
DPJ-10	10' PowerCon to PowerCon fixture to fixture jumper

**Diffusers**

MODEL	DESCRIPTION
S4LED-SFD	Source Four LED—Soft Focus Diffuser (included)
S4LED-SWD6	Source Four LED—Smooth Wash Diffuser for 6.25" gel frame slots
S4LED-SWD7	Source Four LED—Smooth Wash Diffuser for 7.5" gel frame slots
S4LED-SWD12	Source Four LED—Smooth Wash Diffuser for 10° lens tubes
S4LED-SWD14	Source Four LED—Smooth Wash Diffuser for 5° lens tubes

The Soft Focus Diffuser fits into a standard A-Size pattern holder and delivers beautiful homogenized light when not in sharp focus. Also, use with patterns for dappled and soft-edge projections.

The Smooth Wash Diffuser is used when extra-smooth blending of multiple Source Four LED fixtures is required. The smooth wash diffuser is placed into the gel frame slot of the lens tube.

## PREFERRED LENSING OPTIONS

(Lenses sold separately)

## Fixed-Beam Lenses

MODEL	DESCRIPTION
LED50LT	LED specific 50° EDLT with lenses installed
LED50LT-1	LED specific 50° EDLT (white) with lenses installed
436EDLT	36° EDLT with lens installed
436EDLT-1	36° EDLT (white) with lens installed
426EDLT	26° EDLT with lens installed
426EDLT-1	26° EDLT (white) with lens installed
419EDLT	19° EDLT with lens installed
419EDLT-1	19° EDLT (white) with lens installed
490LT	90° with lens installed
490LT-1	90° (white) with lens installed
470LT	70° with lens installed
470LT-1	70° (white) with lens installed
414LT	14° with lens installed
414LT-1	14° (white) with lens installed
410LT	10° with lens installed
410LT-1	10° (white) with lens installed
405LT	5° with lens installed
405LT-1	5° (white) with lens installed

## Zoom Lens Assemblies

Use with light engine body models.

MODEL	DESCRIPTION
41530LT	Source Four 15-30° Zoom lens assembly
42550LT	Source Four 25-50° Zoom lens assembly

## Power Consumption at Full Capacity

MODEL	VOLTAGE (V)	CURRENT (A)	MAX POWER (W)
Source Four LED Lustr+™	120	1.11	129.9
Source Four LED Daylight	120	1.39	163.63
Source Four LED Tungsten	120	1.35	157.4

## ADDITIONAL ORDERING INFORMATION

## Fixture Accessories

MODEL	DESCRIPTION
400CC	C-Clamp (included)
400SC	Safety Cable
400PH-A	Pattern holder (A size)
400PH-B	Pattern holder (B size)
400PH-G	Glass pattern holder
400RS	Drop-In Iris
400CF	Colorframe (6.25")
407CF	7.5" square color frame
400DN	Donut
400TH	Top Hat
400HH	Half Hat
DPSJ-X	25' PowerCon to Edison input power cable with inline switch

## NOTES ABOUT LED LUMINAIRES

All LED sources experience some lessening of light output and some color shift over time. LED output will vary with thermal conditions. Based on the LED manufacturer's B50 L70 specification, a Selador luminaire will achieve ~70% of its initial output after 50,000 hours of typical usage. In individual situations, LEDs will be used for different durations and at different levels. This can eventually lead to minor alterations in color performance, necessitating slight adjustment to presets, cues or programs.

## CRI AND CQS RATINGS

Source Four LED fixtures were evaluated for CRI and CQS performance using measured output spectrum and optimized mix solutions for the best spectral match to black body sources at 3200K and 5600K.

FIXTURE	CRI	CQS	Color Fidelity	Duv
S4 LED Lustr+ Reg at 3200K	84	87	87	0
S4 LED Lustr+ Reg at 5600K	92	92	92	0
S4 LED Daylight at 5600K	71	70	69	0.001
S4 LED Tungsten at 3000K	86	86	86	0.001

All Source Four LED luminaire versions provide excellent color rendering to the eye, particularly at higher color temperature settings such as 5600K. In most cases, the Duv is 0.000. A Duv rating of 0.000 indicates that the color mix used is exactly on the black body line, with no green or magenta tint.

Source Four LED Series

CONTROL OPTIONS

User settings on Source Four LED fixtures allow multiple operational modes and settings for either console operation via DMX protocol or stand-alone operation. The expanded LCD display provides easy navigation to all possible settings and options. Some of the setting options are:

- Multiple DMX choices, ranging from a simple RGB profile – which effectively controls all seven LED colors via three channels – to nine-channel ‘direct’ color and intensity control
- Multiple dimming curve options
- Preset colors and sequences for stand-alone (no-console-required) operation
- White-point selection – white light and color behavior based on a specific color temperature white light, i.e. 3200K, 5600K, etc.
- Loss of data behavior options – instant off, hold last look for two minutes, etc.
- Output modes – three output options that offer the user a choice between maximum output and maximum consistency

See the user manual for a complete explanation of all of the control settings and options for the Source Four LED.

Quick Setups

To assist in managing the numerous control and fixture behavior choices, five combinations of operational settings are available to quickly get started. These settings are specifically created for different applications and are easily accessible at the fixture display. Each setting can then be modified as required to take advantage of all of the possible control features.

Setting Title	Profile	Description	Typical Features*
General	Direct	Factory Default: For general-purpose use, including interior architectural applications	<ul style="list-style-type: none"> <li>• Standard dimming curve</li> <li>• Regulated output for color consistency</li> </ul>
Stage	HSI Plus 7 Enabled	Theatrical lighting: Duplicates the color and dimming behavior of tungsten stage lighting fixtures	<ul style="list-style-type: none"> <li>• Incandescent dimming curve</li> <li>• Regulated output for color consistency</li> <li>• 3200K white-point setting</li> </ul>
XT Arch	HSI	Exterior architectural lighting: Provides a high degree of color consistency in high ambient temperature environments	<ul style="list-style-type: none"> <li>• Standard dimming curve</li> <li>• Protected output</li> <li>• 3200 white-point setting</li> </ul>
High Impact	RGB	Event lighting: Enables quickest response, simple RGB control and strobe channel for maximum effect usage	<ul style="list-style-type: none"> <li>• Quick dimming curve</li> <li>• Boost mode for maximum intensity</li> <li>• 5600K white-point setting</li> </ul>
Studio	Studio	Studio Factory Default: Enables three parameter control of white light (intensity, white point, and tint) via DMX from console or from fixture display – no console required	<ul style="list-style-type: none"> <li>• Linear dimming curve</li> <li>• Regulated output mode for color consistency</li> </ul>

\*See user manual for complete list of features for each Quick Setup

CONTROL OPTIONS

DMX Input Channel Profiles

DMX Profile	DMX Channels	Channel Assignments	Notes
Direct	10	1 – Red 2 – White 3 – Amber 4 – Green 5 – Cyan 6 – Blue 7 – Indigo 8 – Intensity 9 – Strobe 10 – Fan Control	Direct control of each individual color with a separate master intensity channel. Color calibration of LEDs is not active in this mode. This profile will produce additive color crossfades.
HSI	6	1 – Hue (coarse) 2 – Hue (fine) 3 – Saturation 4 – Intensity 5 – Strobe 6 – Fan Control	High-resolution hue (two channels), saturation, and intensity control. HSI mode will produce color crossfades around the color space.
HSIC	7	1 – Hue (coarse) 2 – Hue (fine) 3 – Saturation 4 – Intensity 5 – Strobe 6 – Fan Control 7 – Color Point (CCT)	High-resolution hue, saturation and intensity control as above, with the addition of a color-point channel to adjust the color temperature of the fixture in both white light and color. Color crossfade performance is the same as HSI.
RGB	6 (Ch. 4 not used)	1 – Red 2 – Green 3 – Blue 4 – n/a 5 – Strobe 6 – Fan Control	Effectively addresses all seven colors via three channels of control. RGB profile will produce additive color cross-fades.
Studio	6 (Ch. 4 not used)	1 – Intensity 2 – Color Point (CCT) 3 – Tint 4 – n/a 5 – Strobe 6 – Fan Control	Controls fixture as a white-light unit. If no DMX (i.e. console input) is present, fixture can be adjusted for these three parameters on the UI at the back of the unit.
Additional profile options			
Plus 7		Seven additional color-control channels are available in RGB, HSI, and HSIC input profile settings. For example, HSI with ‘Plus 7’ enabled becomes a 15-channel profile:	
		1 – Hue (coarse) 2 – Hue (fine) 3 – Saturation 4 – Intensity 5 – Strobe 6 – Fan Control 7 – n/a 8 – Plus7 Control on/off 9 – Red 10 – White 11 – Amber 12 – Green 13 – Cyan 14 – Blue 15 – Indigo	<p>The desired color and intensity is achieved by using the HSI or RGB channels</p> <p>Placing channel seven at a value over 51% gives the fixture a 15-channel profile.</p> <p>Channels 9-15 represent the native colors of the fixture and allow the operator to adjust individual color channels to fine-tune the color output.</p>
Strobe		Variable strobe control: 0% is no strobe. The fixture output will strobe more rapidly as the strobe channel value approaches 100%.	

CONTROL OPTIONS

Daylight and Tungsten only

Quick Setups

Setting Title	Profile	Description	Typical Features
Studio	Studio	Enables control of intensity from luminaire UI; no console required	<ul style="list-style-type: none"> <li>• Linear dimming curve</li> <li>• Regulated output for intensity stability</li> </ul>
Single Channel	Direct	For general purpose architectural use	<ul style="list-style-type: none"> <li>• Standard dimming curve</li> <li>• Regulated output for color consistency</li> </ul>
Stage	Direct	Matches conventional luminaire performance	<ul style="list-style-type: none"> <li>• Incandescent dimming curve</li> <li>• Regulated output</li> </ul>

DMX Input Channel Profiles

DMX Profile	DMX Channels	Channel Assignments	Notes
Studio	3	1 – Intensity 2 – Strobe 3 – Fan Control	Control of parameters is also enabled from the luminaire's user interface. No console required.
Direct	3	1 – Intensity 2 – Strobe 3 – Fan Control	

PHOTOMETRY

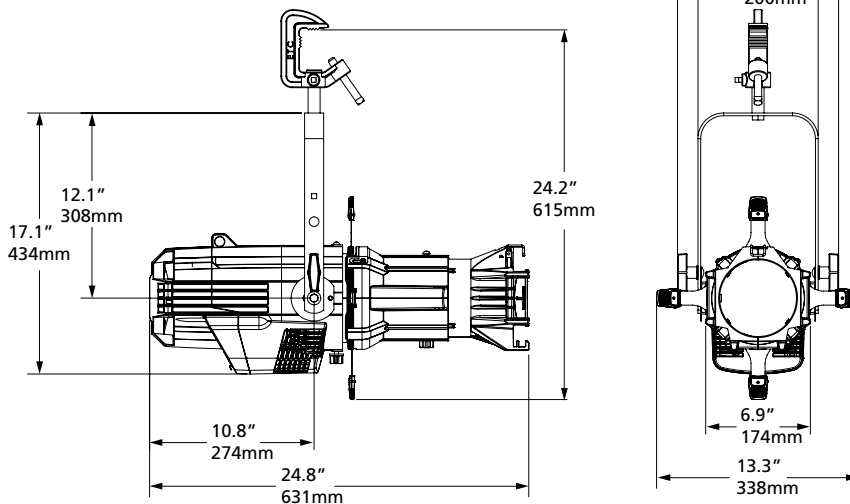
The Source Four LED Photometry Guide and complete IES photometry data files may be downloaded from the ETC website. Go to <http://www.etcconnect.com>

PHYSICAL

Source Four LED Weights and Dimensions

	WEIGHT*		SHIPPING WEIGHT	
	lbs.	kgs	lbs	kgs
With Barrel	18.3	8.3	28	12.7
Without Barrel	14.3	6.5	23	10.4

\* Does not include mounting hardware or lens tube



Corporate Headquarters • 3031 Pleasant View Rd, PO Box 620979, Middleton WI 53562 0979 USA • Tel +1 608 831 4116 • Fax +1 608 836 1736  
 London, UK • Unit 26-28, Victoria Industrial Estate, Victoria Road, London W3 6UU, UK • Tel +44 (0)20 8896 1000 • Fax +44 (0)20 8896 2000  
 Rome, IT • Via Pieve Torina, 48, 00156 Rome, Italy • Tel +39 (06) 32 111 683 • Fax +44 (0)20 8752 8486  
 Holzkirchen, DE • Ohmstrasse 3, 83607 Holzkirchen, Germany • Tel +49 (80 24) 47 00-0 • Fax +49 (80 24) 47 00-3 00  
 Hong Kong • Room 1801, 18/F, Tower 1 Phase 1, Enterprise Square, 9 Sheung Yuet Road, Kowloon Bay, Kowloon, Hong Kong • Tel +852 2799 1220 • Fax +852 2799 9325  
 Web • www.etcconnect.com • Copyright©2014 ETC. All Rights Reserved. All product information and specifications subject to change. 7460L1001 Rev. E USA 06/14  
 U.S. and international patents pending.