



100V 115/120V 230/240V

selador series
by ETC



GENERAL INFORMATION

The Selador Series high power Lustr is ideal for stage and studio lighting as a key or fill light as well as stage washes. It produces the subtle tinted colors that lighting designers love. It produces the entire CCT range of white light and the subtly tinted colors that lighting designers love. The x7 Color System™ illuminates skin tones and renders objects more like conventional tungsten and gel color sources but does not give up Selador Series' unique ability to produce deep, vibrantly saturated color.

APPLICATIONS

- Theaters
- TV/Film Studios
- Churches
- Hotels
- Convention Centers
- Schools

SUGGESTED APPLICATIONS

LUSTR MODEL	11	21	42	63
Truss warmer	•			
Front light	•	•		
Side light	•	•		
Key light	•	•		
Fill light	•	•	•	
Specials	•	•		
Downlight	•	•	•	•
Backlight	•	•	•	•
Stagewash	•	•	•	•
Cyc light	•	•	•	•

ORDERING INFORMATION

Selador Lustr

MODEL	DESCRIPTION
SELLU11	Selador Lustr 11" (one cell)
SELLU21	Selador Lustr 22" (two cell)
SELLU42	Selador Lustr 42" (four cell)
SELLU63	Selador Lustr 63" (six cell)

Note: Units ship with mounting bolts, parallel-blade, U-ground (Edison) pigtail (SPA-A) only. Power leads with alternate connectors and luminaire mounting hardware must be ordered separately. All secondary lenses must be ordered separately.

Power Lead Options

Use information below to order 5' leads with factory-fitted connectors:

MODEL	DESCRIPTION
SPA-X	PowerCon™ to bare-end pigtail
SPA-A	PowerCon™ to parallel blade U-ground pigtail
SPA-B	PowerCon™ to 20 amp 2-pin and ground (stage pin) pigtail
SPA-C	PowerCon™ to grounded 20 amp twistlock pigtail

See page 2 for Selador Lustr Accessories.



SPECIFICATIONS

GENERAL

- 2.5W color-mixing LED fixture
- Available in 11", 21", 42", and 63" lengths
- ETL rated for indoor dry location use

PHYSICAL

- Rugged all-metal extruded housing
- Advanced thermal management systems for long LED life
- Easy-access slots for secondary lenses
- Combine secondary lenses for desired horizontal and vertical beam spread
- Available in black (standard) and silver (special order)
- Yoke (11" and 21" only), trunnion (floor stand), and hanging bracket mounting options

ELECTRICAL

- 100VAC to 240V 50/60 Hz universal power input
- Neutrik® PowerCon™ input connector
- 5' power lead (parallel-blade, U-ground) supplied (see page 1 for input connector options)
- Requires power from non-dim source
- Low-speed, low-noise cooling fan for thermal stability

LED*

- 50,000 hr. LED life
- 40 Luxeon® Rebel 2.5W LED emitters per cell

* See additional LED notes on page 3

COLOR

- Exclusive x7 *Color System*™ 7-color LED array
- Lustr – optimized for the best whites and tints
- Color rendering as high as 90 CRI
- Interacts seamlessly with conventional sources
- Achieve natural-looking 3200° – or any other Correlated Color Temperature white light from 800°K to 20,000°K
- Beautifully illuminates skin tones and other objects, for a natural appearance with high color rendering

OPTICAL

- Native tight beam spread of approximately 26°
- Secondary lenses install in fixture front to change distribution of light
- Use a combination of vertical and horizontal lenses to spread light both directions
- Lenses must be ordered separately
- Refer to accessories for lenses available

CONTROL

- DMX512 in and thru via 5-pin XLR connectors
- 8 channel control (7 color plus intensity)
- Intensity channel minimizes color shift during dimming
- 15-bit internal control for smooth low-end dimming
- 21" fixture provides 2 independently controlled cells
- 42" fixture provides 4 independently controlled cells
- 63" fixture provides 6 independently controlled cells

THERMAL

- Ambient operating temperature of 34°-104°F (1°- 43°C)
- Fixture case can become extremely hot (approx. 85°C) under long-term, high-output, continuous usage
- Fixture is designed for continuous usage at 40°C ambient temperature. Requires free air flow around fixture.

POWER CONSUMPTION AT FULL INTENSITY

MODEL	VOLTAGE (V)	CURRENT (A)	WATTS
Lustr 11 (Sellu11)	120 / 240	1.05 / 0.60	125W / 144W
Lustr 21 (Sellu21)	120 / 240	2.10 / 1.20	250W / 288W
Lustr 42 (Sellu42)	120 / 240	4.20 / 2.40	500W / 576W
Lustr 63 (Sellu63)	120 / 240	6.30 / 3.60	750W / 864W

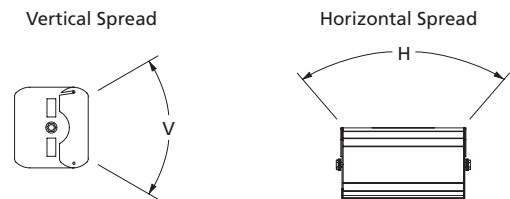
ADDITIONAL ORDERING INFORMATION

Continued from front page...

Selador Lustr Accessories

MODEL	DESCRIPTION
SELLH(degree)	20°, 30°, 40°, 50°, 60°, 70°, or 80° Secondary Lens – Horizontal spread * See below
SELLV(degree)	20°, 30°, 40°, 50°, 60°, 70°, or 80° Secondary Lens – Vertical spread * See below
SELYOKE11	Yoke Kit for 11" unit with C-clamp and hardware
SELYOKE21	Yoke Kit for 21" unit with C-clamp and hardware
SELDYOKE11	Double Yoke Kit for 11" unit with C-clamp and hardware
SELDYOKE21	Double Yoke Kit for 21" unit with C-clamp and hardware
SELTRU	Trunnion / Floor Stand Kit (set of 2 with hardware)
MPARHBK	Hanger Bracket Kit (set of 2 with C-clamps and hardware)
400SC	Safety Cable (32-inch)

Secondary Lenses



DMX CONTROL CHANNELS

DATA CHANNEL	COLOR	VALUE	FUNCTION
1	Luminaire Address	Red	Intensity 0-100%
2	Luminaire Address + 1	Red-Orange	Intensity 0-100%
3	Luminaire Address + 2	Amber	Intensity 0-100%
4	Luminaire Address + 3	Green	Intensity 0-100%
5	Luminaire Address + 4	Cyan	Intensity 0-100%
6	Luminaire Address + 5	Blue	Intensity 0-100%
7	Luminaire Address + 6	Indigo	Intensity 0-100%
8	Luminaire Address + 7	Master Intensity Control	Overall Intensity 0-100%

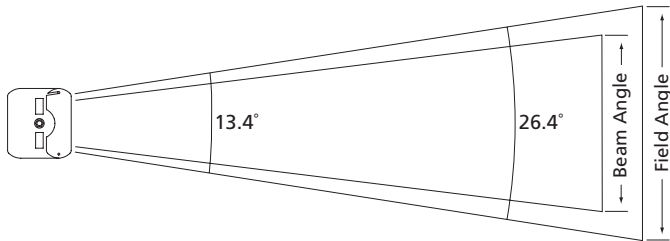
Note: Use individual color channels to create color mix. Use Master Intensity Control to set luminaire intensity. Master Intensity Control (Channel 8) must be above 0% for luminaire to output.

NOTES ABOUT LED LUMINAIRES

All LED sources experience some lessening of light output and some color shift over time. LED output will vary with thermal conditions. With typical usage, a Selador luminaire will still achieve 70% of its initial output after 50,000 hours. In individual situations, LEDs will be used for different durations and at different levels. This can eventually lead to minor alterations in color performance, necessitating slight adjustment to presets, cues or programs.

PHOTOMETRICS

Photometric data taken with all channels at full. Data reflects the output of one 11" unit. See chart on page 2 for lumen and efficiency information in sample gel colors. Information for PAR fixtures with the same gel colors is presented for comparison. Due to the variability of all LEDs, output data and color matched should be viewed as approximate. Photometric data for individual lenses and lens combinations may be found at www.etcconnect.com/docs/docs_downloads/techdocs/Selador-Lens-Photometrics.xls



Throw Distance (d)	10'	15'	20'	25'
	3.0m	4.6m	6.1m	7.6m
Field Diameter	4.7'	7.0'	9.4'	11.7'
	1.4m	2.1m	2.9m	3.6m
Illuminance (fc)	302	134	75	48
Illuminance (lux)	3,245	1,442	811	519

Selador Lustr

Degree	Candela	Field Lumens	Beam Lumens	Lumens per Watt
26°	30,150	1,829	926	17.6

Metric Conversions: For Meters multiply feet by .3048
For Lux multiply footcandles by 10.76

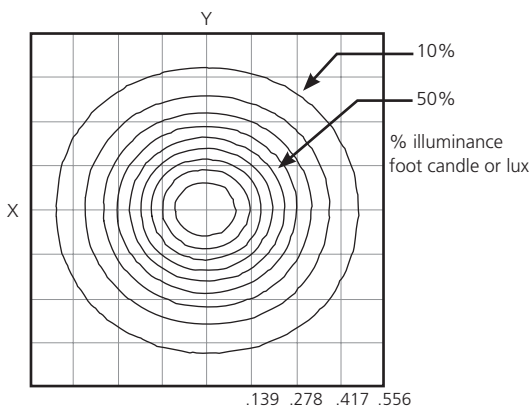
For illumination with any lamp, multiply the candlepower of a beam spread by the multiplying factor (mf) shown for that lamp.

To determine illumination in footcandles or lux at any throw distance, divide candlepower by distance squared.

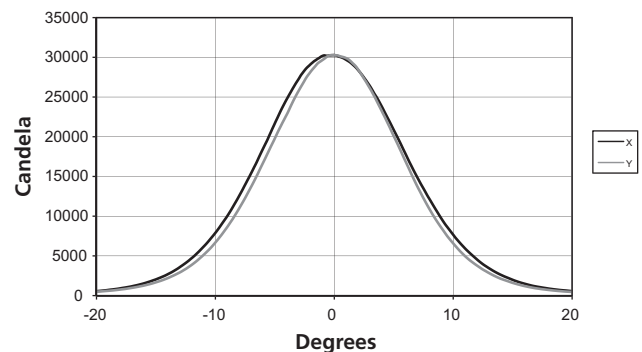
For Field diameter at any distance, multiply distance by .469

For Beam diameter at any distance, multiply distance by .235

**Iso-Illuminance Diagram
(Flat Surface Distribution)**



Cosine Candela Plot



*** Throw Distance Multiplier (TDM)

To determine the distance from the center of the beam (Origin) to a certain illuminance level at a particular distance, multiply the desired throw distance by the TDM desired on the Iso-Illuminance diagram.

Throw Distance (TD) x Throw Distance Multiplier (TDM) = Distance from the Origin (DfO) (distance from the center of the beam)

Example: 25 feet (TD) x 0.139 (TDM) = 3.475 feet from center of beam (DfO)

OUTPUT AND EFFICACY DATA FOR VARIOUS GEL COLORS

Output information for a Source Four PAR EA with 750W HPL lamp is provided for each line of the listed gel colors for comparison.

Gel	Field Lumens	Watts	Efficacy	Par Field Lumens	Par Efficacy
Apollo 5300 Apollo Green	1026	54	19.0	270	0.4
Apollo 6300 Neon Yellow	1326	68	19.5	8200	10.9
Apollo 7570 Trick or Treat	944	58	16.3	3620	4.8
Gam 245 Light Red	376	37	10.2	1370	1.8
Gam 250 Medium Red XT	322	35	9.2	780	1.0
Gam 945 Royal Purple	287	43	6.7	110	0.1
Lee 116 Medium Blue Green	955	56	17.0	1250	1.7
Lee 344 Violet	1639	96	17.1	1790	2.4
Lee 345 Fuchsia Pink	1162	72	16.1	1430	1.9
Rosco 343 Neon Pink	648	49	13.2	2800	3.7
Rosco 80 Primary Blue	616	54	11.4	460	0.6
Rosco 382 Congo Blue Deep	139	32	4.3	55	0.1
3200K	1603	83	19.3	9500	12.7
Full (all channels at 100%)	1829				

PHYSICAL

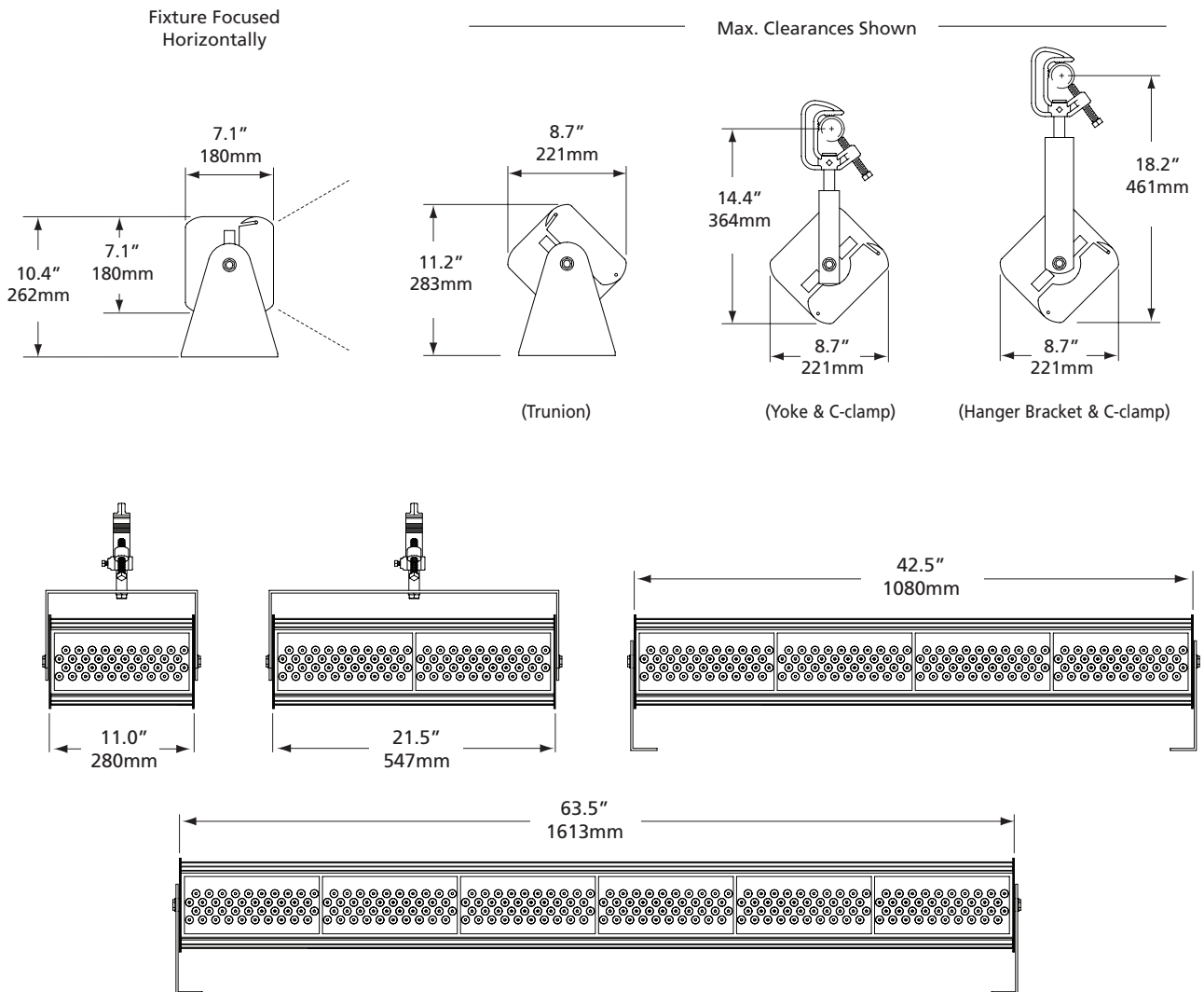
Selador Lustr Dimensions & Weights

MODEL	# OF LEDS	LENGTH		HEIGHT		DEPTH	
		in	mm	in	mm	in	mm
SELLU11	40	11.0	280	7.1	180	7.1	180
SELLU21	80	21.5	547	7.1	180	7.1	180
SELLU42	160	42.5	1080	7.1	180	7.1	180
SELLU63	240	63.5	1613	7.1	180	7.1	180

WEIGHT*		SHIPPING WEIGHT	
lbs	kgs	lbs	kgs
11.5	5.2	15	6.9
20	9.1	25	11.4
35	15.9	42	19.1
53	24.1	62	28.2

40 Luxeon® Rebel 2.5W LEDs in each 11-inch (280-mm) length of fixture.

* Does not include mounting hardware



Corporate Headquarters • 3031 Pleasant View Rd, PO Box 620979, Middleton WI 53562 0979 USA • Tel +1 608 831 4116 • Fax +1 608 836 1736
London, UK • Unit 26-28, Victoria Industrial Estate, Victoria Road, London W3 6UU, UK • Tel +44 (0)20 8896 1000 • Fax +44 (0)20 8896 2000
Rome, IT • Via Pieve Torina, 48, 00156 Rome, Italy • Tel +39 (06) 32 111 683 • Fax +44 (0) 20 8752 8486
Holzkirchen, DE • Ohmstrasse 3, 83607 Holzkirchen, Germany • Tel +49 (80 24) 47 00-0 • Fax +49 (80 24) 47 00-3 00
Hong Kong • Room 1801, 18/F, Tower 1 Phase 1, Enterprise Square, 9 Sheung Yuet Road, Kowloon Bay, Kowloon, Hong Kong • Tel +852 2799 1220 • Fax +852 2799 9325
Web • www.etcconnect.com • Copyright©2011 ETC. All Rights Reserved. All product information and specifications subject to change. 7400L1003 Rev. E Printed in USA 01/11
 This product is protected by one or more of the following U.S. Patents: 6,016,038, 6,150,774, 6,788,011, 6,806,659, 6,683,423 and 7,023,543