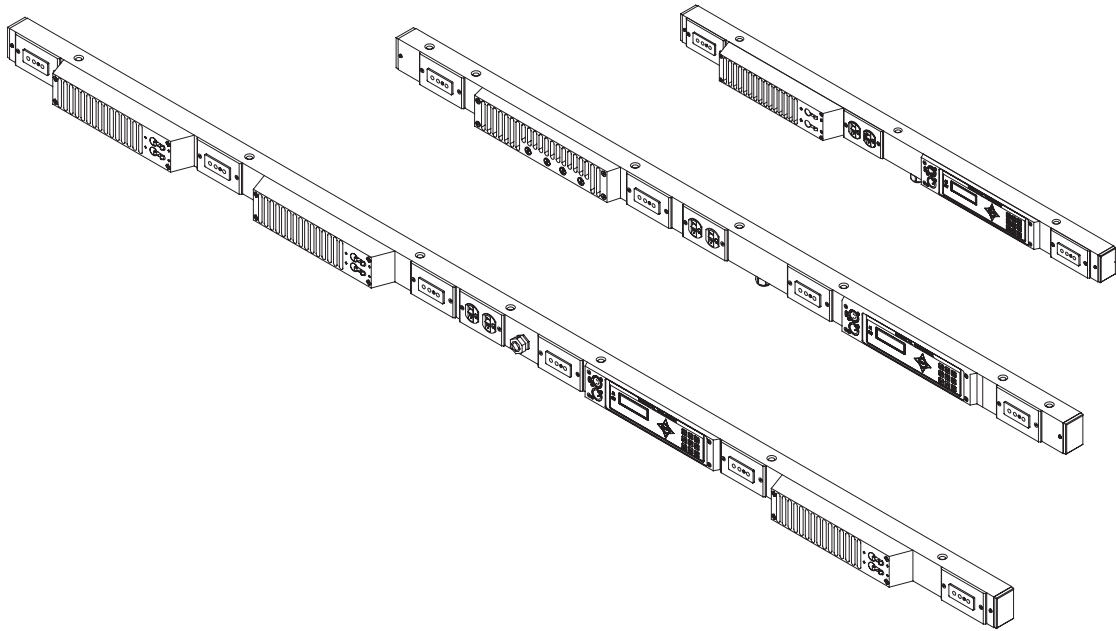




120V

Smart Solutions™ Series



GENERAL INFORMATION

SmartBars are small linear dimmer bars that allow direct fixture mounting. Simple to use, the SmartBar provides a practical and versatile distributed dimming solution for small venues, rental applications and industrial presentations. The only connections needed are main power and DMX data.

APPLICATIONS

- Applications requiring distributed dimming and position flexibility:
  - Industrial productions
  - Rental productions
  - Convention and conference centers
  - Multi-use venues: gymnasiums, cafeteriums, multimedia rooms
  - TV Studios
  - Casinos
  - Discos

FEATURES

- 2, 4 or 6 dimmer versions available
- Digital forward-phase dimming
- Convection cooled
- Integrated suspension points for fixtures
- Choice of output connectors
- DMX 512 compliant
- LCD display with graphic channel level indication
- Local manual control for stand alone operation
- User-selectable dimmer curves
- Individual channel features: non-dim, max & min levels, response speed
- 20 chases or sequences

ORDERING INFORMATION

SmartBar

| MODEL     | DESCRIPTION  |
|-----------|--|
| SB4-6-A   | 4 x 6A (720W) SmartBar with Edison connectors      |
| SB4-6-B   | 4 x 6A (720W) SmartBar with Stage Pin connectors   |
| SB4-6-C   | 4 x 6A (720W) SmartBar with Twist-Lok connectors   |
| SB2-10M-A | 2 x 10A (1200W) SmartBar with Edison connectors    |
| SB2-10M-B | 2 x 10A (1200W) SmartBar with Stage Pin connectors |
| SB2-10M-C | 2 x 10A (1200W) SmartBar with Twist-Lok connectors |
| SB6-10M-A | 6 x 10A (1200W) SmartBar with Edison connectors    |
| SB6-10M-B | 6 x 10A (1200W) SmartBar with Stage Pin connectors |
| SB6-10M-C | 6 x 10A (1200W) SmartBar with Twist-Lok connectors |

SmartBar Accessories

| MODEL | DESCRIPTION                                |
|-------|--|
| 400CC | C-Clamps                                   |
| 400SC | Safety cable                               |
| ST    | SmartStand and adapter (casters optionals) |

Suggested Fixtures

| MODEL  | DESCRIPTION                                    |
|--------|--|
| S4 jr  | Source Four junior or junior zoom ellipsoidals |
| S4 PAR | Source Four PAR EA or MCM*                     |
| S4     | Source Four ellipsoidals*                      |

\*Lamped at 375W or 575W based on SmartBar power capacity



## Smart Solutions™ Series

## SPECIFICATIONS

## GENERAL

- 2, 4 or 6 dimmer versions available
- 4 x 6A, 2 x 10A and 6 x 10A
- UL Listed
- Installation requires attachment of safety cables, main power via flexible cable and data via DMX

## MECHANICAL

- Manufactured of strong, thick walled aluminum with a black anodized finish
- Integrated sleeved suspension points for fixtures and for mounting hardware (C-clamps or stand adapters)
- Supplied with five 3-1/2" long, 1/2" bolts and appropriate hardware for fixture mounting
- Convection cooled – operates without cooling fans or filters.

## ELECTRICAL

- 120/208V 60Hz Mains supply
- 4 x 6A and 2 x 10A: Single phase 2-wire plus ground, 20A feed
- 6 x 10A: Three phase 4-wire plus ground, 20A feed
- Input Power via an attached flexible 12' SO feed cord and bare-ends (connector not supplied)
- Total load can not exceed capacity of main power connection (wall outlet, 15A, 20A)
- 10W Minimum load per dimmer
- Edison, Stage Pin or Twist-Lok outlets (1 per circuit)
- Single duplex auxiliary outlet centered on bar
- 6A units: fuse for load protection per dimmer
- 10A units: circuit breaker for load protection
- Quality rise time filtering measured at 120us (6A) and 320us (10A)

*Note: Not designed for use with fluorescent ballasts*

## SPECIFICATIONS

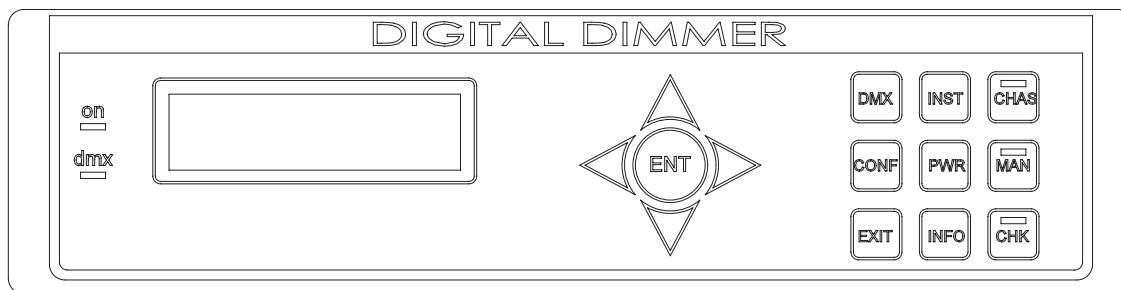
## THERMAL

- Maximum ambient temperature of 104°F (40° C)
- Humidity between 30 - 95% non-condensing
- Natural convection cooling from front-mounted heatsinks
- Optimum cooling when mounted horizontally with the control panel vertical

## CONTROL FEATURES

- DMX512 In and Thru via 5Pin XLR connectors
- Supports up to 32 SmartBars on one DMX line
- High contrast 2-line by 20-character backlit LCD with graphic channel level indication
- 9-button keypad plus arrow array and Enter button
- 2 status LED indicators: Power and Valid DMX
- Soft patch any dimmer to any DMX channel
- Programmable options per channel: max/ min levels, response time, non-dim operation, dimmer curve (Fluorescent curve not available at 120V operation)
- Local manual control and 20 chase patterns for stand alone operation
- Programmable start modes with soft start for higher wattage lamps and burst start for cold filaments
- DMX Backup settings – Selectable Data Loss Behavior
- Password protection for access to DMX, Configuration and Install menus

## CONTROL PANEL



**ENT & cursor arrows:** ENT (Enter) completes a programming step and records the information in the memory. The four cursor arrows provide navigation through the setup menu, and the means to enter data.

**DMX:** Selects DMX address per channel when the single mode is selected or the first address of the group when the joined mode is selected.

**INST:** Install function. To set-up dimmer functionality during installation with options as follows:

- DMX configuration (individual or combined)
- Channel configuration (individual or combined)
- Channel information
- Password set-up
- Dimmer hardware configuration
- Minimum level reset (preheat off when DMX is not present)
- Factory reset
- Sleep mode
- DMX backup levels
- DMX failure options

**CHAS (with LED):** Chase. Provides set-up for the dimmer's internal chase system for stand-alone display effects (The LED illuminates when the dimmer is in the 'chase mode).

**CONF:** Configure. Access to a sub-menu to set the detailed configuration for individual or combined dimmer channels.

**PWR:** Power. This function is not available in this product line.

**MAN:** Manual. Provides manual control of each channel for circuit testing and pre-setting.

**EXIT:** Returns to the opening screen menu option without recording changes.

**INFO:** Information. Provides a display of the nominal supply voltage and installed software version.

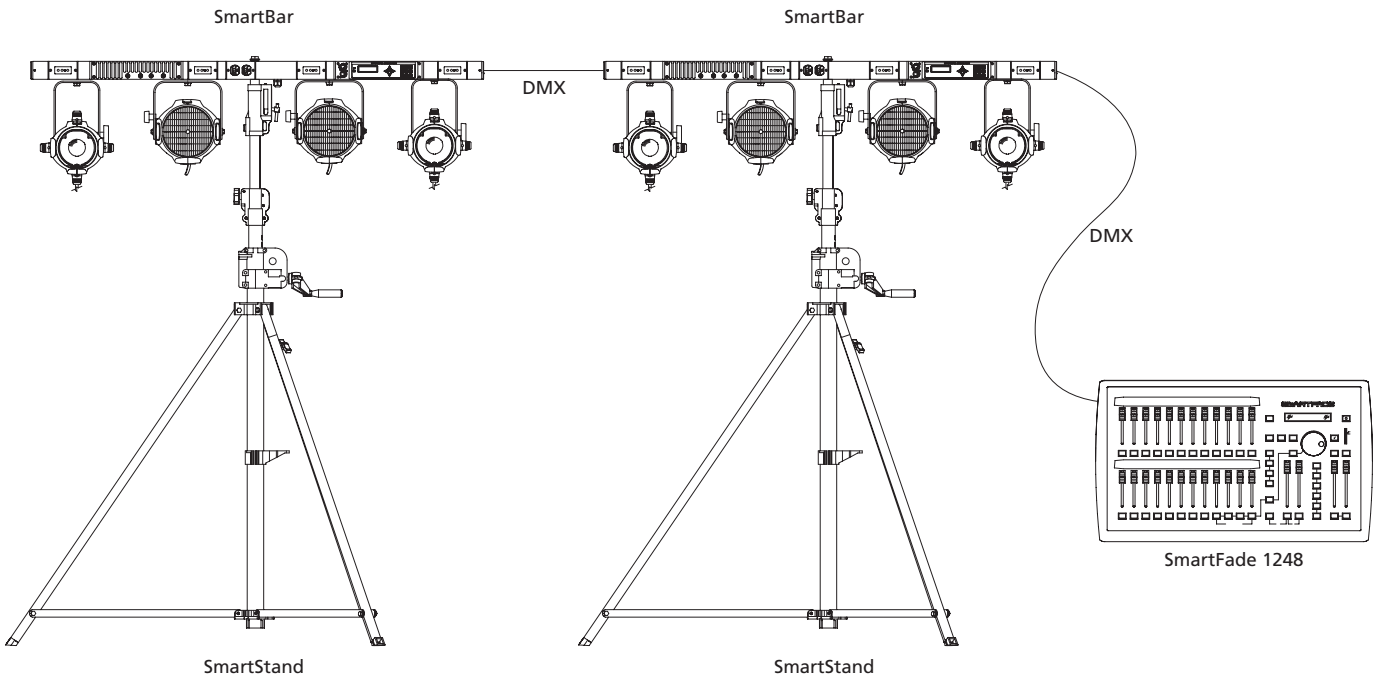
**CHK (with LED):** Check. Displays a log of any circuit or dimmer faults (LED illuminates if an error occurs).

**ON LED:** Illuminates blue when power is applied.

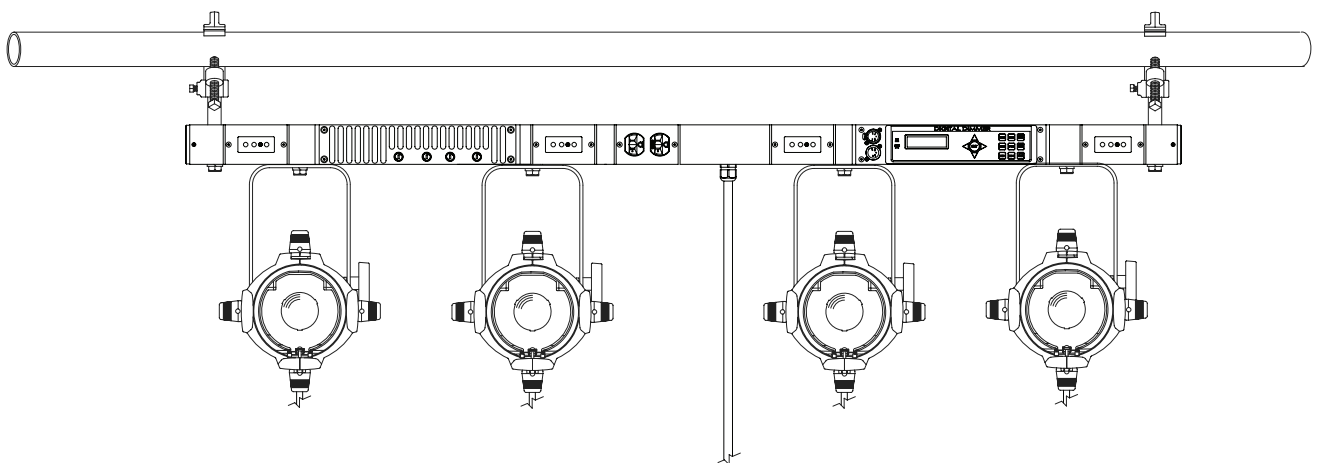
**DMX LED:** Illuminates red continuously when valid DMX is present. LED flashes when there is no DMX signal.

TYPICAL APPLICATIONS

SMARTBARS ON SMARTSTANDS



SMARTBAR WITH C-CLAMPS ON PIPE



PHYSICAL

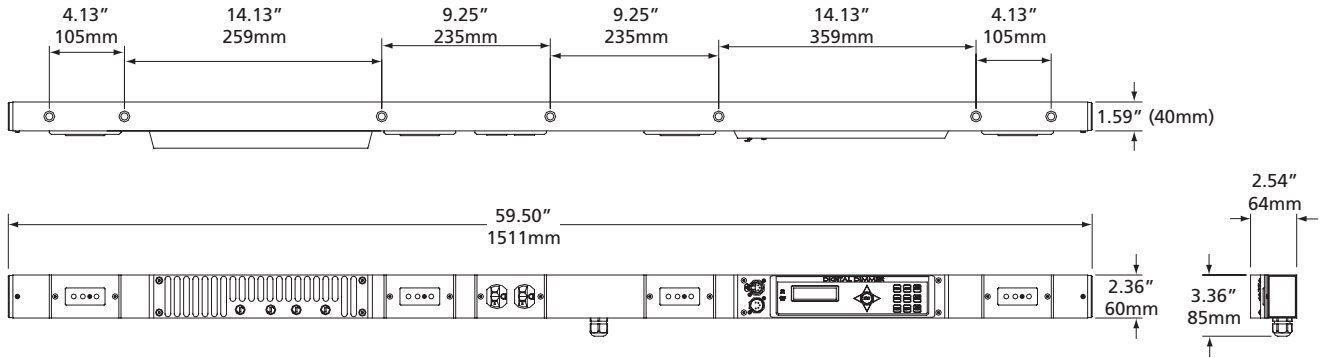
SmartBar Dimensions

| Model  | Height |    | Width  |    | Length |      |
|--------|--------|----|--------|----|--------|------|
|        | inches | mm | inches | mm | inches | mm   |
| SB4-6  | 2.36   | 60 | 2.54   | 64 | 59.5   | 1500 |
| SB2-10 | 2.36   | 60 | 3.1    | 79 | 42.5   | 1000 |
| SB6-10 | 2.36   | 60 | 3.1    | 79 | 87.8   | 2200 |

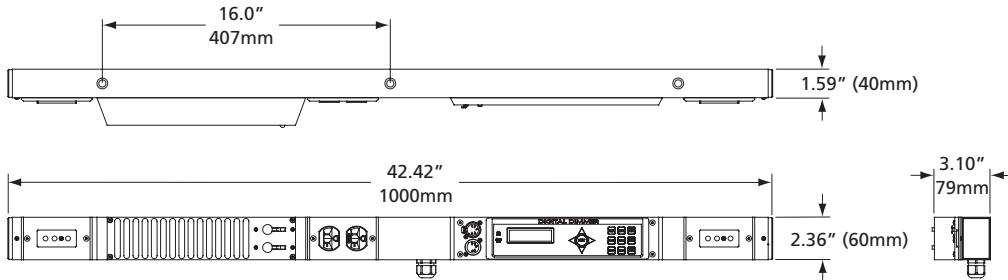
SmartBar Weights

| Model  | Weight |      |
|--------|--------|------|
|        | lbs    | kgs  |
| SB4-6  | 12     | 5.5  |
| SB2-10 | 15     | 6.8  |
| SB6-10 | 27.8   | 12.6 |

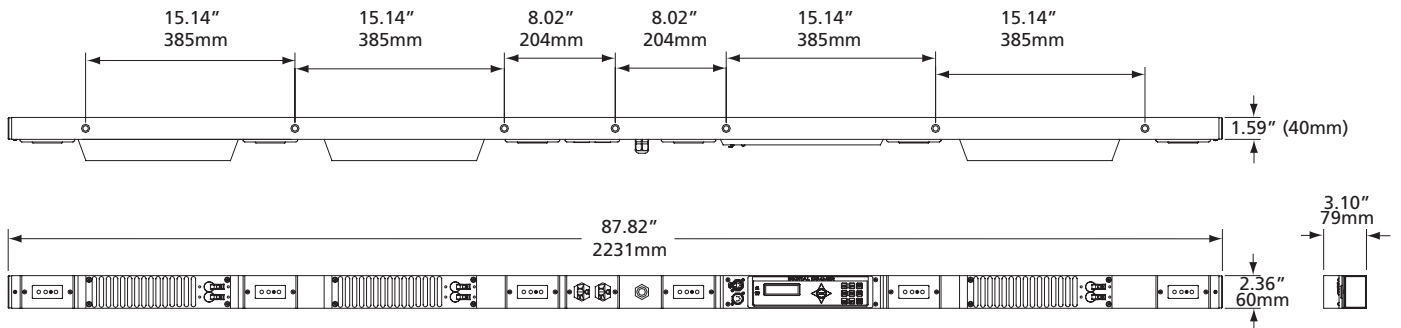
SB4-6-B



SB2-10-B



SB6-10-B



Corporate Headquarters • 3031 Pleasant View Rd, PO Box 620979, Middleton WI 53562 0979 USA • Tel +1 608 831 4116 • Fax +1 608 836 1736  
 London, UK • Unit 26-28, Victoria Industrial Estate, Victoria Road, London W3 6UU, UK • Tel +44 (0)20 8896 1000 • Fax +44 (0)20 8896 2000  
 Rome, IT • Via Ennio Quirino Visconti, 11, 00193 Rome, Italy • Tel +39 (06) 32 111 683 • Fax +44 (0)20 8752 8486  
 Holzkirchen, DE • Ohmstrasse 3, 83607 Holzkirchen, Germany • Tel +49 (80 24) 47 00-0 • Fax +49 (80 24) 47 00-3 00  
 Hong Kong • Room 1801, 18/F, Tower 1 Phase 1, Enterprise Square, 9 Sheung Yuet Road, Kowloon Bay, Kowloon, Hong Kong • Tel +852 2799 1220 • Fax +852 2799 9325  
 Web • www.etcconnect.com • Copyright©2008 ETC. All Rights Reserved. All product information and specifications subject to change. 7501L1003 Rev. C Printed in USA 06/08