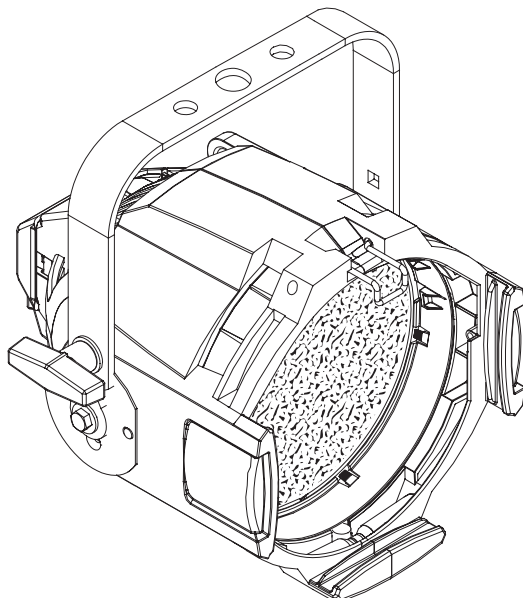




100V 115/120V 230/240V

PAR Series



SPECIFICATIONS

PHYSICAL

- Rugged die-cast aluminum construction
- High-impact, thermally insulated precision focus knob
- Sealed reflector housing
- Reflector temperature control through integral heat sink fins
- Gel frame holders with two accessory slots
- Top-mounted, gel-frame retainer
- Steel yoke with two mounting positions
- Positive locking yoke clutch
- UL and cUL Listed

ELECTRICAL

- 115-240V, 50/60Hz
- High-temperature three-conductor 36" leads in a glass fiber outer sleeve
- Supports ETC Dimmer Doubling™ technology

LAMP

- HPL – compact tungsten filament contained in a krypton/xenon-filled quartz envelope (see table for suitable lamp types)
- 750W maximum
- Patented filament geometry makes for extremely efficient light collection and transmission
- Integral die-cast aluminum heat sink lamp base

LENSES

- Patented wave lens system
- Two heat resistant borosilicate glass lenses
- One fixed wave clear lens and one rotatable wave stippled lens installed
- Tool free front lens changing
- Thermally insulated lens ring

SPECIFICATIONS

OPTICAL

- Integral 24° – 47° spot to flood adjustment
- Modified parabolic and multifaceted reflector
- Computer designed reflector facets molded directly into heat sink casting, finished with an enhanced aluminum deposition process, and polished for maximum reflectance

ORDERING INFORMATION

Source Four PARnel

MODEL	DESCRIPTION
PARnel	Source Four PARnel (Black)
PARnel-1	Source Four PARnel (White)

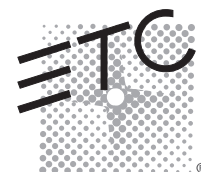
ETC Source Four PARnel are supplied with a color frame and 3' (96cm) lead as standard

Connector Designation

Use Suffixes below to specify Factory-Fitted Connector type

MODEL	DESCRIPTION
A	Parallel-blade U-ground connector
B	Two-pin and ground, 20 amp connector
C	Grounded, 20 amp, twistlock connector
M	Dimmer Doubling Connector (NEMA L515P)

See back page for Source Four PAR Accessories



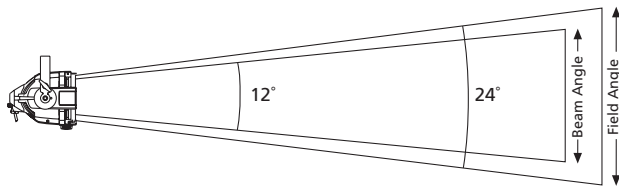
PHOTOMETRICS

Photometric data below is measured with an HPL 750W/115V 300 hr lamp. To convert data when using any other HPL lamp, use the lumen or candela multiplying factors (Lm MF or Cd MF) for that specific lamp. These multiplying factors are listed in the Lamps table in this datasheet. For lumen data, multiply by the Lm MF. For candela or footcandle data, multiply by the Cd MF.

Source Four PARnel - Spot Focus

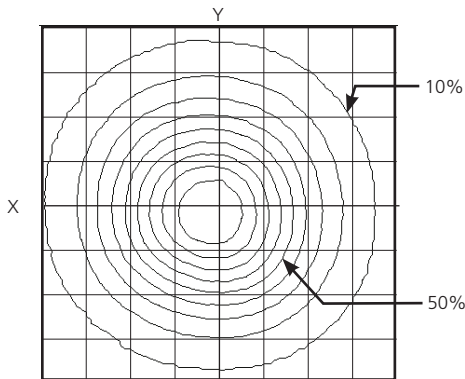
Degree	Candela	Field Lumens	Beam Lumens	Efficiency	Lumens per watt
Spot	190,390	9,135	4,610	41.7%	12.2

For Field diameter at any distance, multiply distance by 0.42  
 For Beam diameter at any distance, multiply distance by 0.21

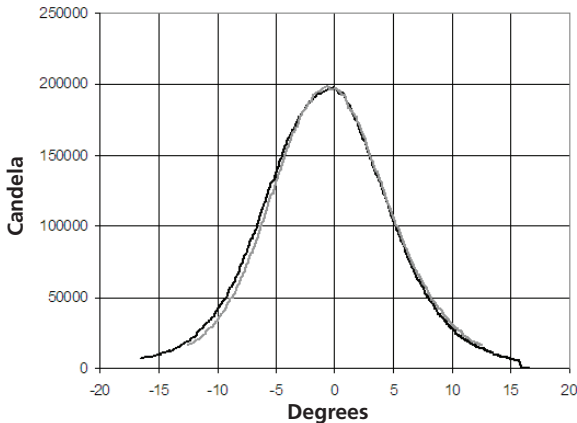


Throw Distance (d)	20.0'	35.0'	50.0'	60.0'
	6.1m	10.7m	15.2m	18.3m
Field Diameter	8.4'	14.7'	20.9'	25.1'
	2.6m	4.5m	6.4m	7.7m
Illuminance (fc)	476	155	76	53
Illuminance (lux)	5,123	1,673	820	569

Iso-Illuminance Diagram (Flat Surface Distribution)



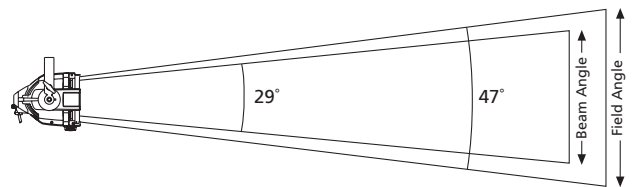
Candela Plot



Source Four PARnel - Flood Focus

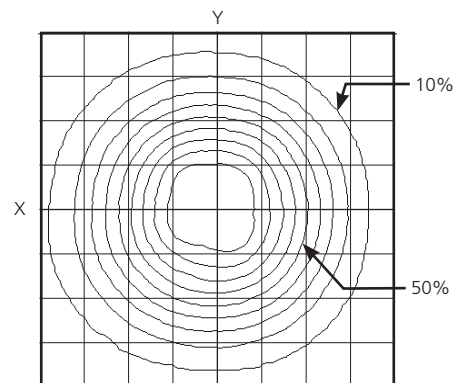
Degree	Candela	Field Lumens	Beam Lumens	Efficiency	Lumens per watt
Flood	47,050	10,560	6,440	48.2%	14.1

For Field diameter at any distance, multiply distance by 0.87  
 For Beam diameter at any distance, multiply distance by 0.52

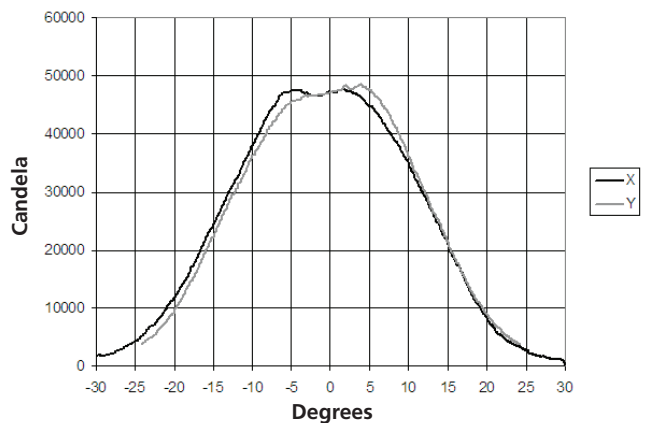


Throw Distance (d)	10.0'	15.0'	20.0'	30.0'
	3.0m	4.6m	6.1m	9.1m
Field Diameter	8.7'	13.0'	17.3'	26.0'
	2.6m	4.0m	5.3m	7.9m
Illuminance (fc)	471	209	118	52
Illuminance (lux)	5,065	2,251	1266	563

Iso-Illuminance Diagram (Flat Surface Distribution)



Candela Plot



## LAMP S

To determine Candela (Cd) or Lumens (Lm) for any other HPL lamp, multiply the Candela or Lumen value by the appropriate multiplying factor (CdMF or LmMF) shown for that lamp in the table below.

ETC Part #	Lamp Code	Watts	Volts	Initial Lumens	Color Temp. K	Avg. Rated Life	Spot Cd MF	Spot Lm MF	Flood Cd MF	Flood Lm MF
RT116	HPL 750/115**	750	115	21,900	3,250	300	1.00	1.00	1.00	1.00
RT196	HPL 750/115X	750	115	16,400	3,050	1,500	.64	.74	.64	.74
RT113	HPL 575/115**	575	115	16,520	3,250	300	.82	.75	.78	.76
RT114	HPL 575/115X	575	115	12,360	3,050	2,000	.56	.56	.56	.56
RT142	HPL 375/115	375	115	10,540	3,250	300	.69	.48	.66	.49
RT143	HPL 375/115X	375	115	8,500	3,050	1,000	.48	.36	.45	.37
N/A	HPL 750/120	750	120	21,900	3,250	300	1.00	1.00	1.00	1.00
N/A	HPL 750/120X	750	120	16,400	3,050	1,500	.64	.74	.64	.74
RT115	HPL 575/120	575	120	16,520	3,250	300	.82	.75	.78	.76
RT171	HPL 575/120X	575	120	12,360	3,050	2,000	.56	.56	.56	.56
RT112	HPL 550/77*	550	77	16,170	3,250	300	.84	.74	.80	.75
RT117	HPL 550/77X*	550	77	12,160	3,050	2,000	.59	.56	.59	.56
RT160	HPL 750/230**	750	230	19,750	3,200	300	.78	.86	.81	.84
N/A	HPL 750/230X	750	230	15,600	3,050	1,500	.49	.68	.50	.66
RT129	HPL 575/230**	575	230	14,900	3,200	400	.64	.65	.62	.64
RT138	HPL 575/230X	575	230	11,780	3,050	1,500	.47	.52	.49	.50
RT154	HPL 375/230X	375	230	7,800	3,050	1,000	.35	.34	.34	.33
N/A	HPL 750/240	750	240	19,750	3,200	300	.78	.86	.81	.84
N/A	HPL 750/240X	750	240	15,600	3,050	1,500	.49	.68	.50	.66
RT130	HPL 575/240	575	240	14,900	3,200	400	.61	.65	.59	.64
RT139	HPL 575/240X	575	240	11,780	3,050	1,500	.44	.52	.45	.50
RT155	HPL 375/240X	375	240	7,800	3,050	1,000	.35	.34	.34	.33

Source Four PARnels rated for 750W maximum.

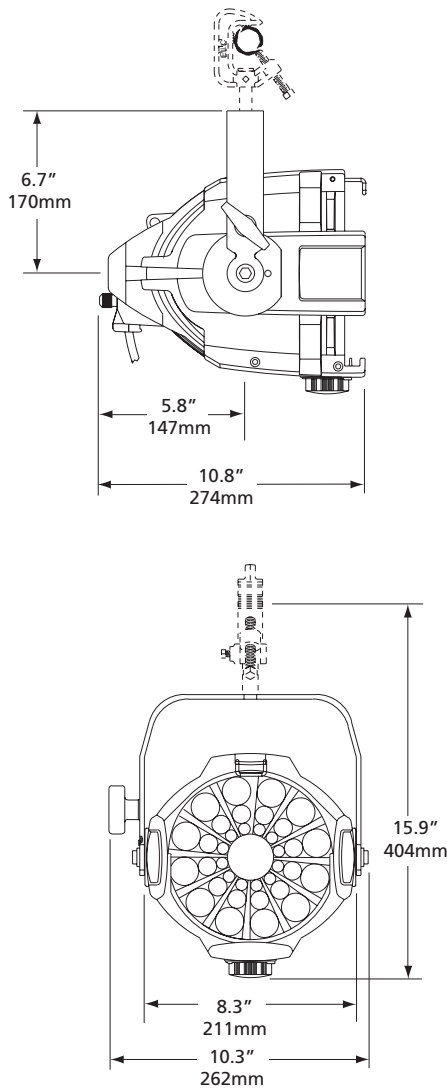
\*77 Volt HPL lamps are for use with ETC Dimmer Doubling technology only.

\*\*Photometric data was prepared using a production fixture and the Prometric CCD measurement system. Fixture adjusted for cosine distribution and tested with calibrated lamp at rated voltage. All data normalized to nominal lamp lumens in accordance with IES LM-73-04. Testing performed at ETC West, Hollywood, CA. All other multiplying factors extrapolated from primary test data.

For links to photometry file downloads (IES LM-63-02 format) go to [www.etconnect.com](http://www.etconnect.com).

HPL Specified Tolerances: Watts +/- 5%, Lumens +/-7%, Average life +/-10%, Color Temperature +/- 50K

PHYSICAL



ORDERING INFORMATION

Continued from front page...

Source Four PARnel Accessories

MODEL	DESCRIPTION
407CF	Color frame (7.5") (included)
400SC	Safety Cable
400CC	C-Clamp
400PTH3	Top hat, 3"
400PTH6	Top hat, 6"
400PHH	Half hat
400XBTH	Cross baffle top hat
400PGE3	Gel extender, 3"
400PGE6	Gel extender, 6"
400BD	Barn door
400L	Egg crate louver
400WB	Weighted base

Note: For colors other than black and white, please call ETC.

Source Four products are protected by one or more of the following patents:

U.S.	USRE36,3316, US5,345,371, US5,446,637, US5,544,029, US6,092,914 and US5,775,799
U.K.	GB0592589, GB0673488, 99930527.9*
Germany	DE0592589, GB0673488, 99930527.9*
Japan	JP2,501,772

\* European patent application number

Source Four PARnel Weights\*

MODEL	WEIGHT		SHIPPING WEIGHT	
	lbs	kgs	lbs	kgs
PARnel	8	3.6	12.8	5.8

\*Add 2.3 lbs for C-clamp



Corporate Headquarters • 3031 Pleasant View Rd, PO Box 620979, Middleton WI 53562 0979 USA • Tel +1 608 831 4116 • Fax +1 608 836 1736  
 London, UK • Unit 26-28, Victoria Industrial Estate, Victoria Road, London W3 6UU, UK • Tel +44 (0)20 8896 1000 • Fax +44 (0)20 8896 2000  
 Rome, IT • Via Ennio Quirino Visconti, 11, 00193 Rome, Italy • Tel +39 (06) 32 111 683 • Fax +39 (06) 32 656 990  
 Holzkirchen, DE • Ohmstrasse 3, 83607 Holzkirchen, Germany • Tel +49 (80 24) 47 00-0 • Fax +49 (80 24) 47 00-3 00  
 Hong Kong • Room 1801, 18/F, Tower 1 Phase 1, Enterprise Square, 9 Sheung Yuet Road, Kowloon Bay, Kowloon, Hong Kong • Tel +852 2799 1220 • Fax +852 2799 9325  
 Web • www.etcconnect.com • Copyright©2008 ETC. All Rights Reserved. All product information and specifications subject to change. 7061L1006 Rev. E Printed in USA 01/08