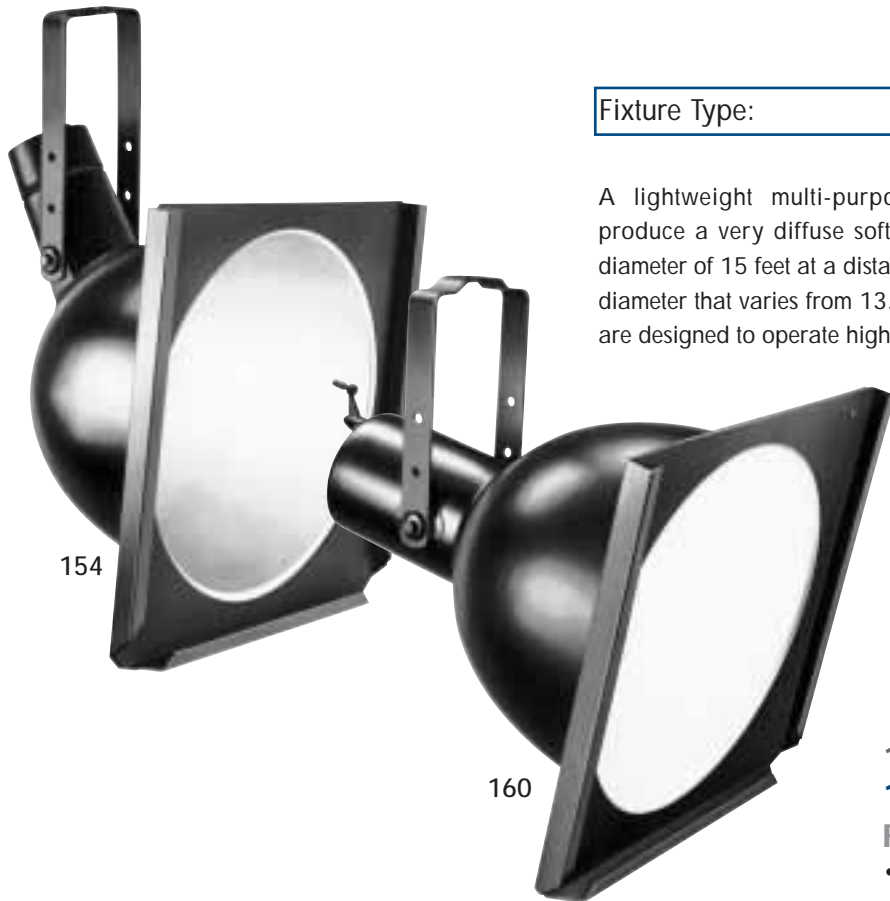


Fixture Type:



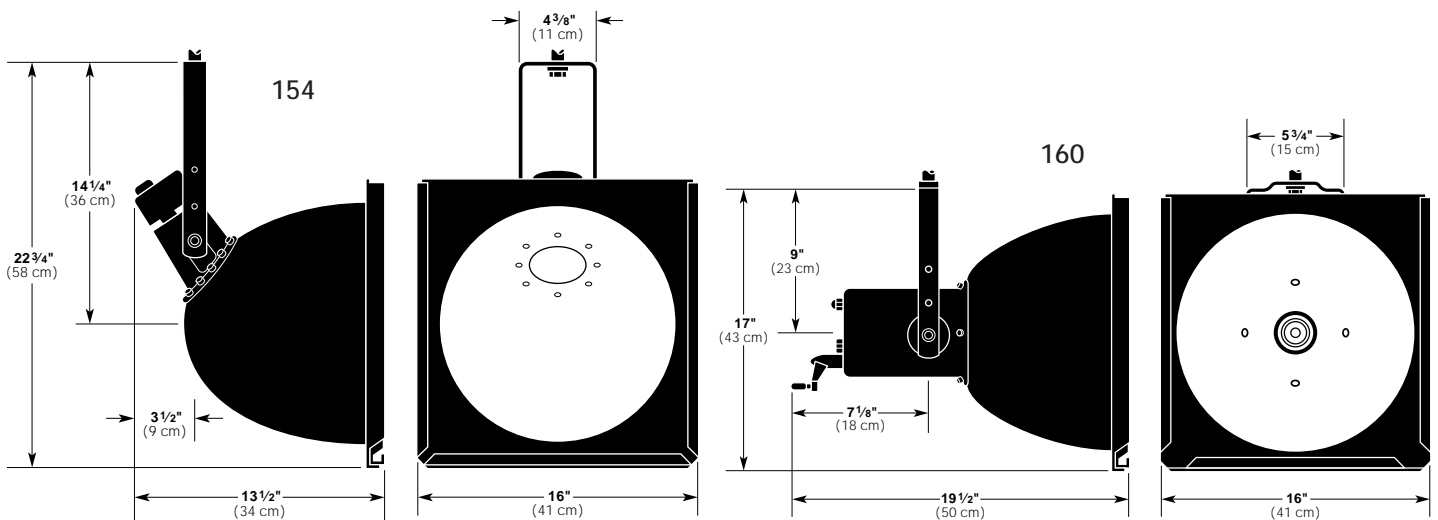
A lightweight multi-purpose elliptical reflector floodlight, both scoops produce a very diffuse soft edged beam. The 154 scoop produces a beam diameter of 15 feet at a distance of 7.5 feet, and the 160 scoop produces a beam diameter that varies from 13.5 to 20.7 feet at the same distance. Both luminaires are designed to operate high color temperature Tungsten Halogen lamp as well as standard incandescent lamps. These fixtures are used in theatre and television as both a flood light and a cyclorama fixture. Other uses include photographic and television remote fill light. The scoop is an ideal fixture for color blending and for creating smooth even washes of light.

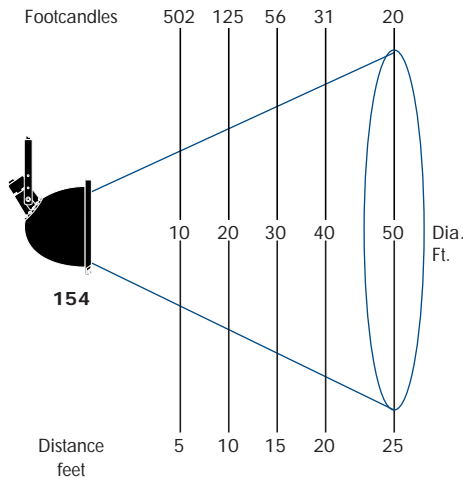
Specifications subject to change without notice

**1000 WATT
14" SCOOP 154/160**

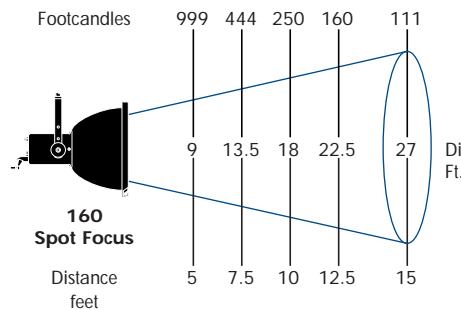
Features

- Heavy spun aluminum construction
- Etched matte aluminum reflector
- Integrated rotatable color frame holder
- Plated steel color frame included
- Three 36" Teflon lead wires
- Up to 25 feet Hi-Temp rubber cable optional
- U.L. and c.U.L. listed for 1000 watts
- Made in the USA

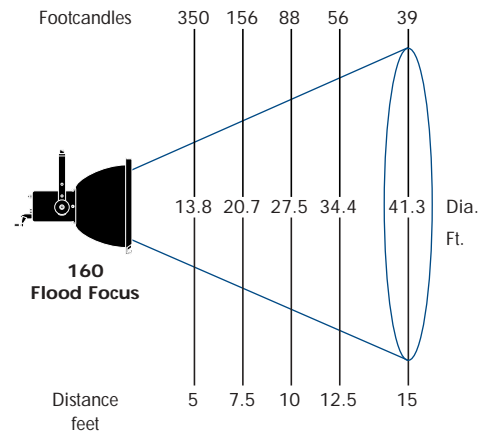




Photometric Data For 1000IF Lamp



Photometric Data For EGK Lamp



Specifications

Housing: Die-cast aluminum for 154, spun steel for 160.

Materials: Construction employs all corrosion-resistant materials and hardware.

Yoke: Rigid flat steel.

Reflector: Etched aluminum, matte finish, elliptical design.

Socket: Mogul screw base, tool free relamping for 154. Altman MPF medium prefocus, tool free relamping for 160.

Rating: 120/240 volts AC/DC operation
8.3/4.2 amps, 1000 watts maximum.

Cable: 36" Teflon leads encased in black fiberglass sleeving. Hi-Temp rubber cable optional, up to 25'.

Finish: Baked black enamel.

Weight: Approx; 9 lbs. (4.05 kg.) for 154.
Approx; 8 ½ lbs. (3.8 kg.) for 160.

154 SCOOP PERFORMANCE CHART WITH 1000IF LAMP

Candlepower (Candela)	Beam Angle (Degrees)	Field Angle (Degrees)	Efficiency (%)
12,550	47°	90°	55

160 FOCUSING SCOOP PERFORMANCE CHART WITH EGK LAMP

Focus	Candlepower (Candela)	Beam Angle (Degrees)	Field Angle (Degrees)	Efficiency (%)
Spot	25,000	32°	84°	49
Flood	8,750	70°	108°	75

154 SCOOP LAMP DATA

Watts	ANSI Code	Manufacturer Lamp Code	Color Temp (°K)	Rated Life (Hours)	Rated Lumens	Correction Factor
300		300 or 300IF	3000	1000	5,820	.25
500		500 or 500IF	3050	1000	10,600	.45
750		750 or 750IF	3050	1000	17,040	.72
1000		1000 or 1000IF	3100	1000	23,740	1.00
1000	DSE		3200	750	27,000	1.14
1000	DKZ/DSE	Q1000 PS52	3200	750	28,000	1.18

160 SCOOP LAMP DATA

Watts	Volts	ANSI Code	Manufacturer Lamp Code	Color Temp (°K)	Rated Life (Hours)	Rated Lumens	Correction Factor
500	120	EGE	Q500 CL/P	3000	2000	10,450	.40
500	120	EGC	Q500/5CL/P	3150	500	12,700	.48
750	120	DNT	DNT/750T12/9	3000	200	17,000	.64
750	120	EGG	Q750 CL/P	3000	2000	15,750	.60
750	120	EGF	Q750/4CL/P	3200	500	20,400	.77
1000	120	EGJ	Q10004CL/P	3200	500	27,500	1.00
1000	120	EGK	Q1000/4/P	3200	500	26,500	1.00
1000	230	FKE	FKE/T15	3050	75		

ACCESSORIES Supplied with Luminaire	
154\160-CF	Color Frame, 15 ¾" x 16"

ADDITIONAL ACCESSORIES	
510	Malleable Iron Pipe Clamp
SC	Safety Cable with Spring clip