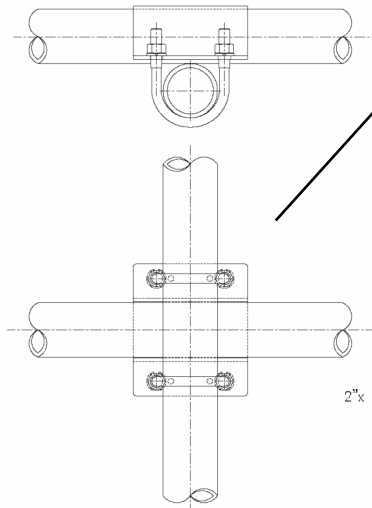


# Pipe Grid

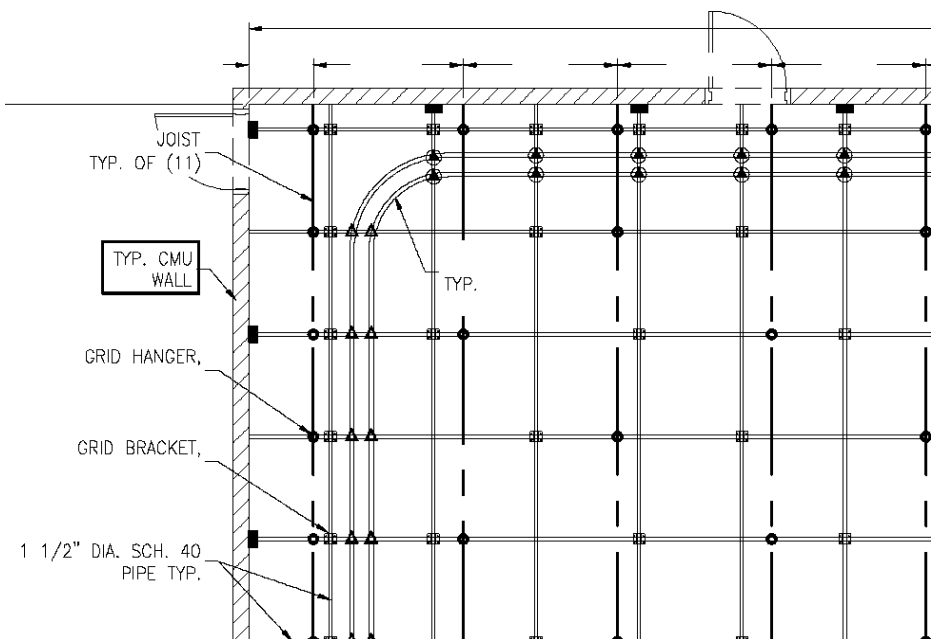
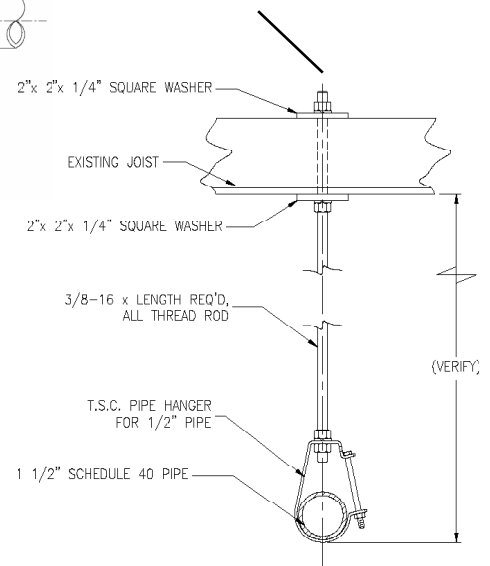
## STANDARD FEATURES

- Typical sizes include 4 x 4 and 5 x 5
- Theatrical grade pipe grid
- Distributed load capacity of approximately 25 pounds per linear foot of pipe
- All hardware is rated and engineered with a design factor of 8:1
- 1 1/2" Diameter schedule 40 pipe
- Hangers installed ten feet in every direction (maximum)
- Pipe grid brackets installed every ten feet on center (maximum)
- Wall flanges installed to stabilize the pipe grid (blocking on wall may be required)
- Accessories include curtain track, lighting fixtures and other stage equipment



**Pipe Grid Bracket**

**Pipe Grid Hanger**



**Contact  
Texas Scenic Company  
to design a pipe grid  
for your specific  
application!**