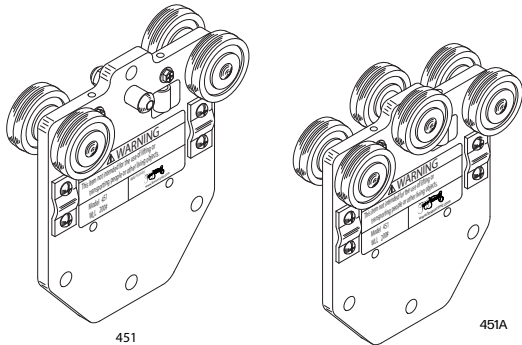


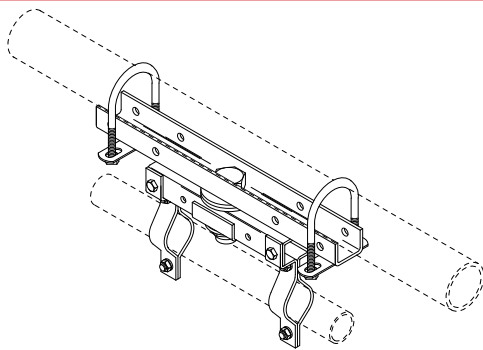
MISCELLANEOUS TRACK HARDWARE



NO. 451 REALLY USEFUL CARRIER

4 urethane-tired sealed ball bearing wheels are riveted to machined black aluminum body for use with No. 410S or 410A Track. Carrier is provided with two Nylon bearings integral to body to keep unit centered in the track assembly. Carrier body is provided with a complement of mounting holes to enable attachment of scenery and various devices.

NO. 451A same as No. 451 plus third set of wheels to help prevent tipping of an unbalanced load.
Working Load Limit: 200#



NO. 6 PIVOT DEVICE

Heavy steel body U-bolts to pipe batten. Allows masking draperies to be rotated to any angle.

NO. 6B - black finish.

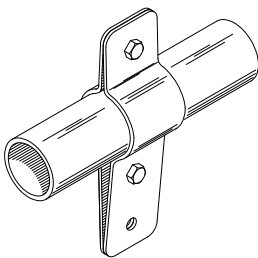
NO. 6X INDEXING PIVOT DEVICE

Pivot device with special plate to index rotation at 22-1/2 degree increments.

NO. 6XB - black finish.

All supplied with brackets for 1-3/8" O.D. pipe or tubing (6' max. recommended length).

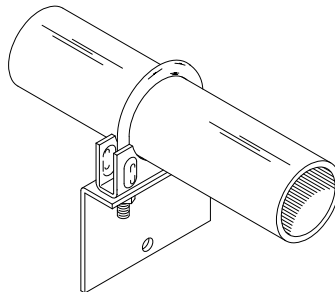
Working Load Limit: 60 pounds.



PIPE CLAMP

Formed 12 gauge steel brackets clamp to 1-1/4" or 1-1/2" standard pipe for suspending curtain tracks parallel to pipe.

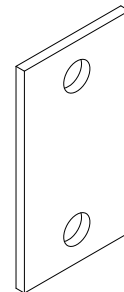
Working Load Limit: 150#
No. 435 - Zinc plated.
No. 435B - Black finish.



RIGHT ANGLE PIPE CLAMP

Formed 12 gauge steel bracket U-bolts to 1-1/2" standard pipe for suspending curtain track perpendicular to pipe.

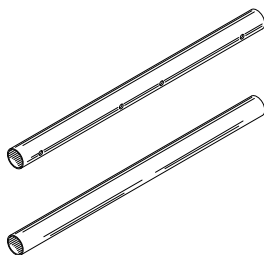
No. 435R - Zinc plated.
No. 435RB - Black finish.



EXTENSION STRAP

12 gauge steel strap with holes 1.9" on center. Used to extend pipe clamp when attaching to upper member of standard 1-1/2" pipe grid.

No. 435X - Zinc plated.
No. 435XB - Black finish.

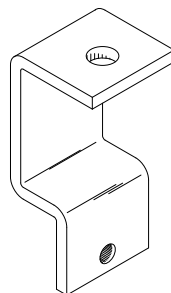


NO. 447 SPLICE

1-9/16" X 120" steel tubing, 24" long, for use as internal sleeve for 1-1/2" Sch. 40 pipe batten. With 4 drilled holes and (4) 3/8-16 x 2-1/2" bolts and Nylock hex nuts.

NO. 447A SPLICE

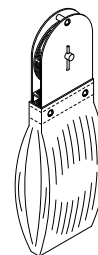
Same as 447 Splice except no attachment holes. (4) 3/8-16 x 2-1/2" bolts and Nylock hex nuts provided.



ROD SUSPENSION BRACKET

Formed 1/4" steel bracket with offset tab for suspending curtain track from 1/2" rod.

Working Load Limit: 150 pounds.
No. 448 - Zinc plated.
No. 448B - Black finish.

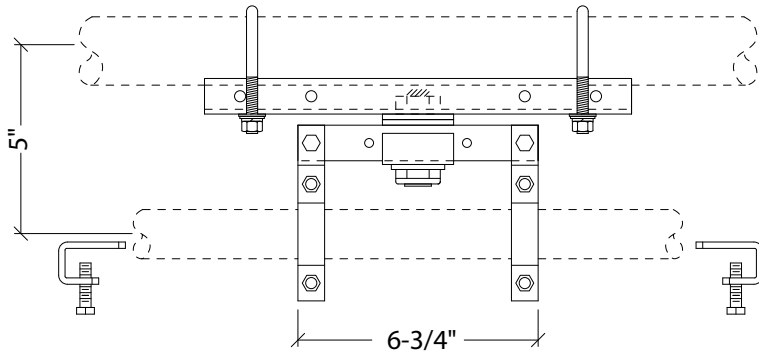


NO. 643 SAND BAG TENSION PULLEY

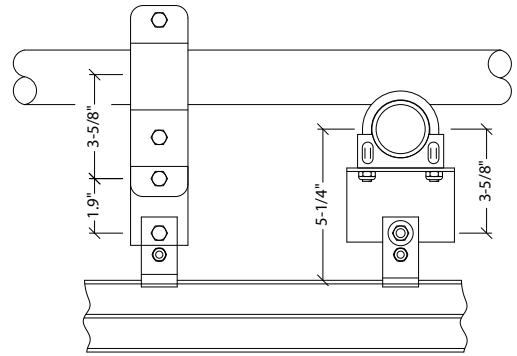
6" MD Nylon sheave with precision ball bearings in specially designed housing with heavy-duty sand bag. For maintaining proper operating line tension on flying curtains. Supplied without sand. Grooved for up to 1/2" operating line.

DIMENSION DRAWINGS

MISCELLANEOUS TRACK HARDWARE

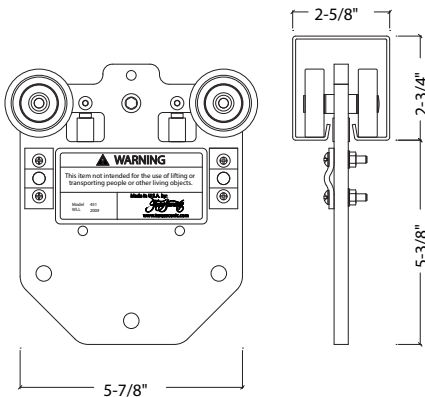


6 PIVOT DEVICE

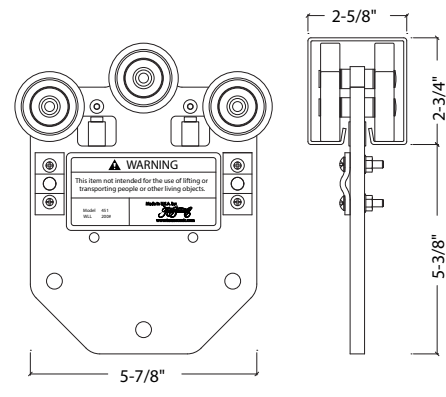


**435 PIPE CLAMP
WITH 435X
EXTENSION STRAP**

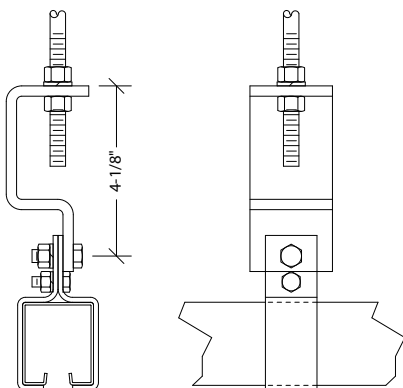
**435R
PIPE CLAMP**



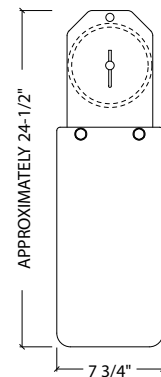
451



451A



448 ROD SUSPENSION HANGER



**643 SAND BAG
TENSION PULLEY**