

Series 71 COMBINATION ADJUSTABLE FLOOR BLOCK/ROPE LOCK

Sheave is adjustable in the housing to provide proper tension on the purchase line. These units are designed for use with wire guide, rigid guide, and lattic track installations where an integral tope lock is desired.

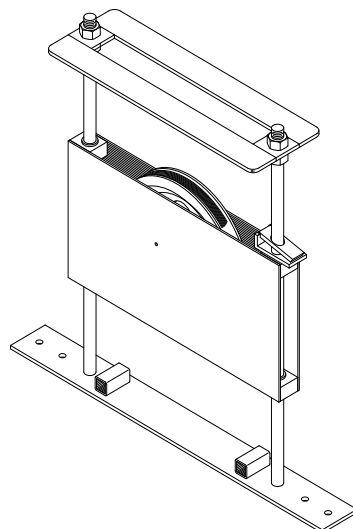
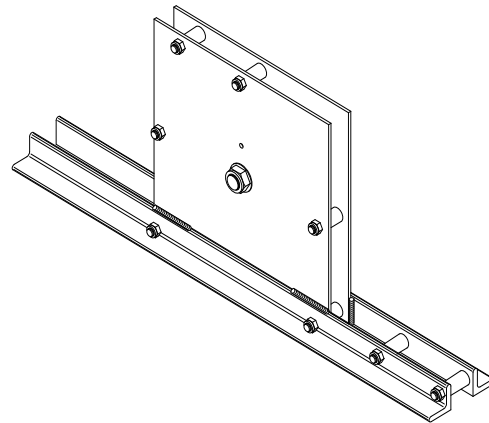
Model 1071C75 10" diameter sheave

Model 1271C75 12" diameter sheave

Series 73 WIRE GUIDE FLOOR BLOCK

Floor block assembly is designed for use with #579 Wire Guide Locking Rail. Housing has tie-offs for use with wire guide arbors. No provision is provided for adjustment of purchase line.

Model 873C75 8" diameter sheave



Series 74 SLIDING TENSION BLOCK

Used most often with fire curtains, act curtains, and paint frames. Designed to provide automatic tension on the purchase line. Self-locking feature prevents upward travel of sheave housing unless manually released.

Model 1074C75 10" diameter sheave

Model 1274C75 12" diameter sheave