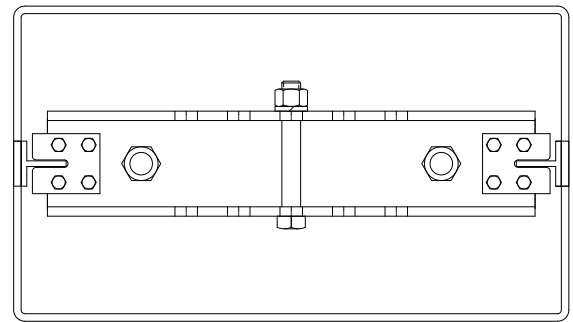
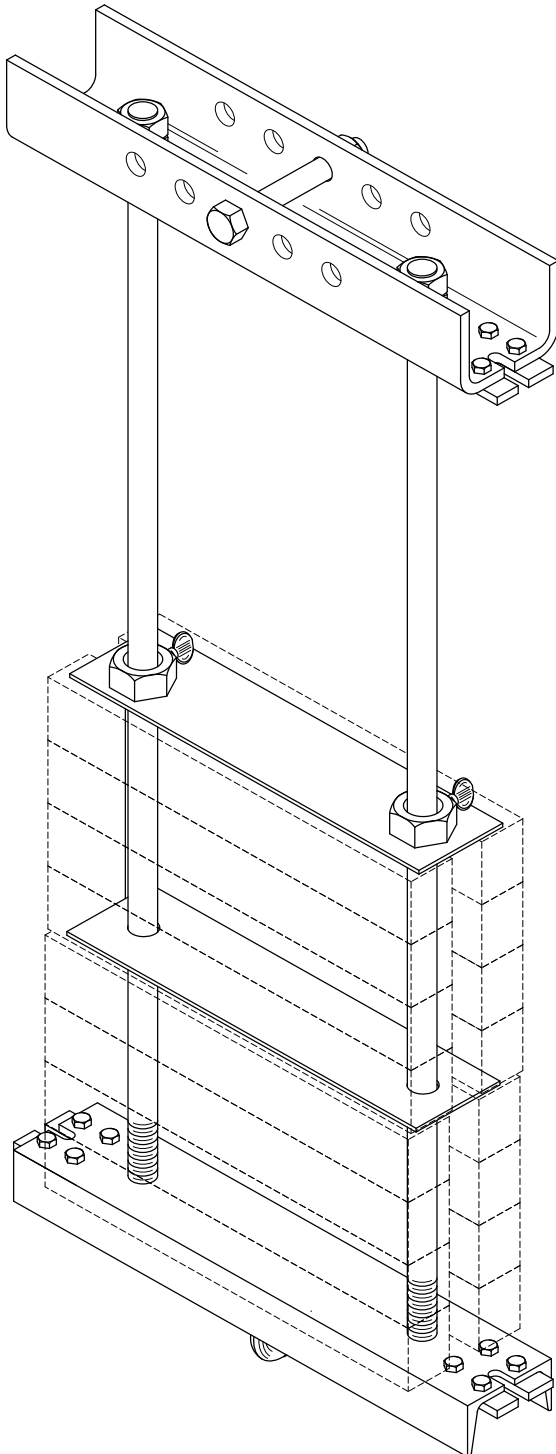


Series 993 LATTICE TRACK ARBOR

Lattice track arbors are most often used in conjunction with fire safety curtains, act curtains, and paint frames. The arbor assembly is captured and guided between opposing steel tees in a separate system independent of the tee or jay bar wall.

Each Model 993 counterweight arbor is fabricated from heavy steel shapes to provide a sturdy frame in which to load counterweights. Arbor rods are spaced 10" on center. They are available in one foot increments from 4 to 10 feet.



Series 993 Arbor in No. 660 Lattice Track
Plan View

Model Number	Rod Length	Empty Weight	Capacity* 4" Wide Weights	Capacity* 6" Wide Weights	Spreader Plate Quantity
993x4	4 feet	36#	545#	815#	2
993x5	5 feet	39#	715#	1075#	3
993x6	6 feet	43#	885#	1335#	3
993x7	7 feet	46#	1055#	1595#	4
993x8	8 feet	50#	1225#	1855#	4
993x9	9 feet	53#	1395#	2115#	5
993x10	10 feet	57#	1565#	2375#	5

*Capacities include the empty weight of the arbor and are calculated based on an industry average for cut steel counterweights. Actual capacities may vary by as much as 5%.