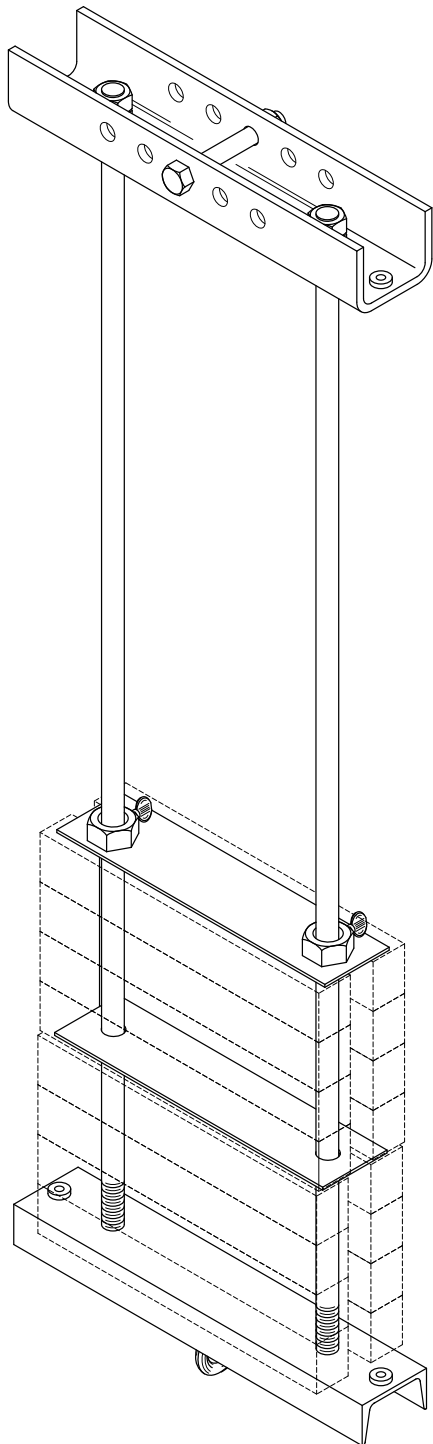


Series 992 WIRE GUIDE ARBOR



Series 992 counterweight arbors are utilized when cost is a consideration. However, length of the guide wires must not exceed 30 feet. Adequate clearance between arbors and the building structure should be maintained. Replaceable MD Nylon guide bushings are provided on top and bottom for smooth, quiet operation.

Each Series 992 counterweight arbor is fabricated from heavy steel shapes to provide a sturdy frame in which to load counterweights. Arbor rods are spaced 10" on center. They are available in one foot increments from 4 to 10 feet.

Model Number	Rod Length	Empty Weight	Capacity* 4" Wide Weights	Capacity* 6" Wide Weights	Spreader Plate Quantity
992x4	4 feet	35#	545#	815#	2
992x5	5 feet	38#	715#	1075#	3
992x6	6 feet	42#	885#	1335#	3
992x7	7 feet	45#	1055#	1595#	4
992x8	8 feet	49#	1225#	1855#	4
992x9	9 feet	52#	1395#	2115#	5
992x10	10 feet	56#	1565#	2375#	5

*Capacities include the empty weight of the arbor and are calculated based on an industry average for cut steel counterweights. Actual capacities may vary by as much as 5%.