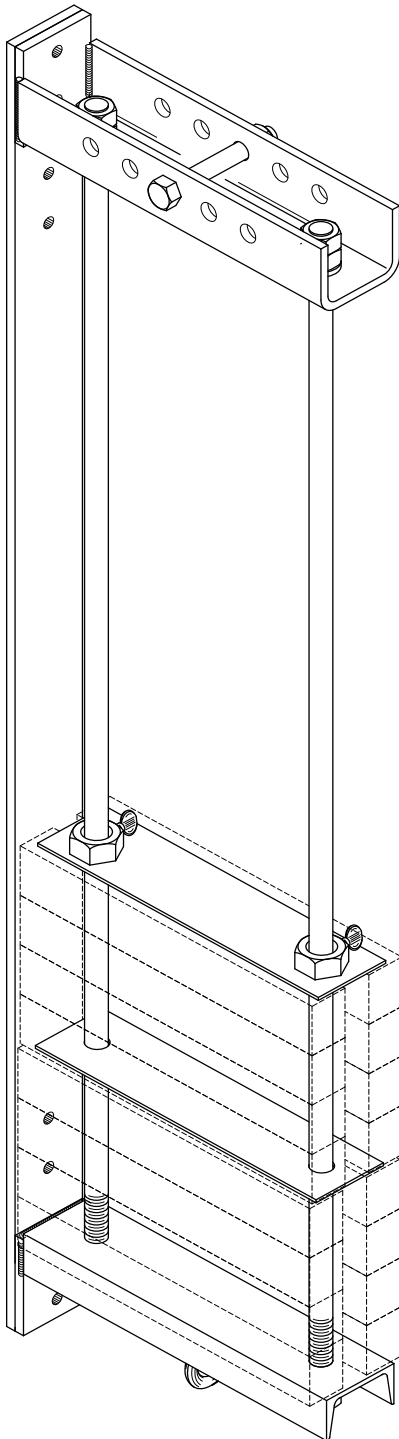


Series 991 TEE GUIDE ARBORS

Series 991 counterweight arbors are designed to be captured and guided between tee or jay bar. They are available in one foot increments from 4 to 12 feet.

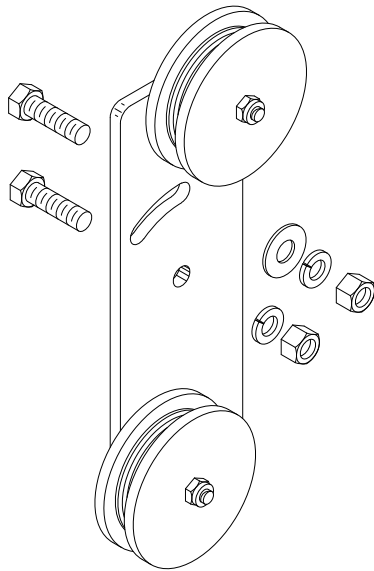
Each Series 991 counterweight arbor is fabricated from heavy steel shapes to provide a sturdy frame in which to lead counterweights. Arbor rods are spaced 10" on center. Ball Bearing Roller Guides and Arbor Guide Shoes sold separately.



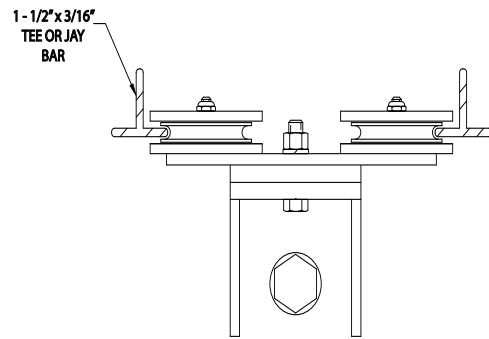
Model Number	Rod Length	Empty Weight	Capacity* 4" Wide Weights	Capacity* 6" Wide Weights	Spreader Plate Quantity
991x4	4 feet	50#	565#	835#	2
991x5	5 feet	67#	740#	1100#	3
991x6	6 feet	74#	915#	1365#	3
991x7	7 feet	81#	1090#	1630#	4
991x8	8 feet	89#	1265#	1895#	4
991x9	9 feet	96#	1440#	2160#	5
991x10	10 feet	104#	1615#	2425#	5
991x11	11 feet	111#	1790#	2690#	6
991x12	12 feet	118#	1965#	2955#	6

*Capacities include the empty weight of the arbor and are calculated based on an industry average for cut steel counterweights. Actual capacities may vary by as much as 5%.

Model 991RG BALL BEARING ROLLER GUIDE

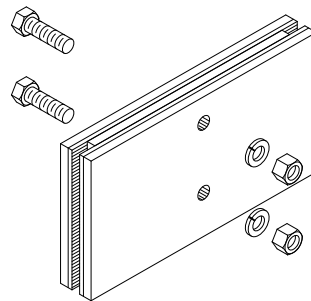
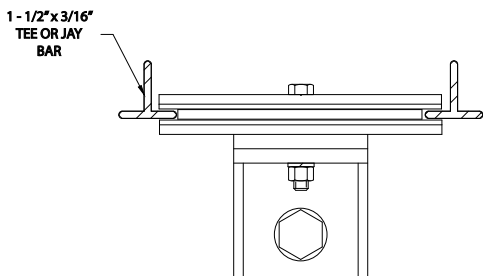


Special ball bearing Nylatron GS guide wheels enable the arbor to roll instead of slide along guide tracks. This guide assembly provides the ultimate in ease in operation for a rigid guide system. Guide assemblies are adjustable for spacings of 6" or 8" centers. These guides may also be retrofitted onto existing counterweight arbors.



Model 991G- ARBOR GUIDE SHOE

Arbor guide shoes are constructed of high density polyethylene guides with full width 1/4" thick steel backing plates to capture the counterweight arbor. These guides enable the arbor to glide freely along steel tee or aluminum jay bar guides. The guide material's unique characteristics provide years of trouble-free service. Guides are available in standard spacings of 6", 8", 9" and 12" centers.



Arbor Guide Model	Tee or Jay Bar* Spacing	Unit Weight per Pair
991RG	6" to 8"	7.6#
991G-6	6"	7.2#
991G-8	8"	9.4#
991G-9	9"	10.6#
991G-12	12"	14.6#

*1-1/2" x 1-1/2" x 3/16"