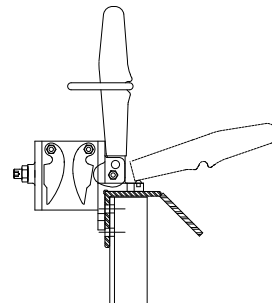
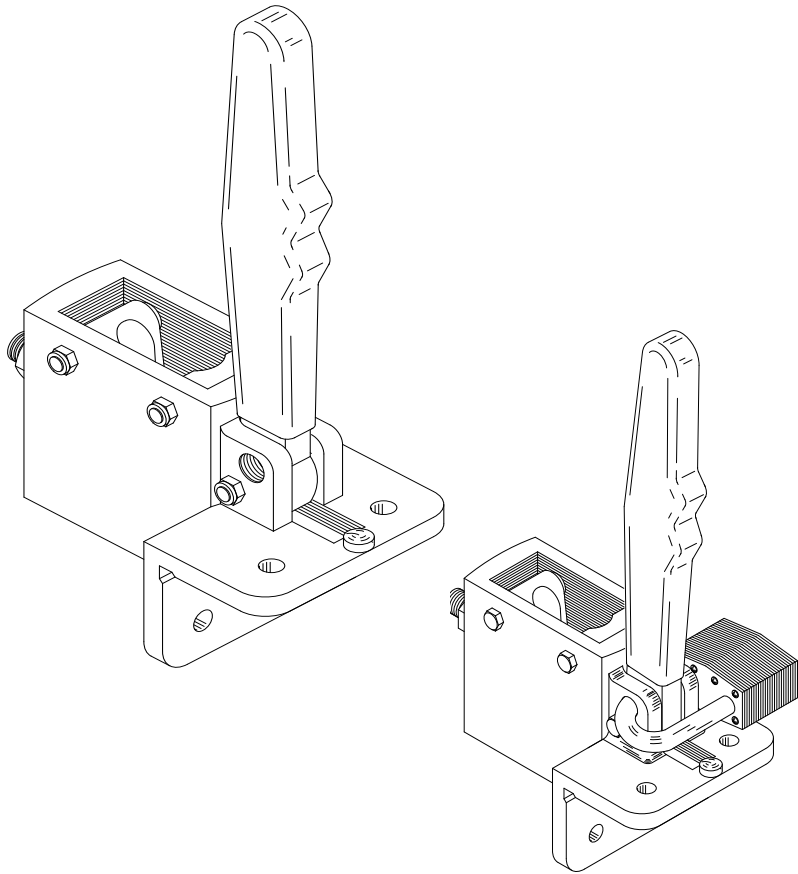




Model No. 576-9 ROPE LOCK

Constructed with a heavy duty ductile iron body and 9" red plastisol covered steel handle. Assembly includes gray iron jaws and red plastisol ring to keep handle from accidentally unlocking. Standard for use with 3/4" purchase lines.

Safety Lockout Tag (shown below) can also be installed on the rope lock to fix the handle in the locked position. Rope lock also comes with provision for attachment of a 3/8" shackle padlock (not included) through the body and handle of the rope lock preventing unauthorized use of the equipment.



Model No. 576LO
Safety Lockout Tag

Model No. 576LO SAFETY LOCKOUT TAG

Constructed of red anodized aluminum, this device can be easily installed on our NO. 576-9 Rope Lock (shown above) to prevent operation of line set by fixing the rope lock handle in the locked position. Grease pencil is used to record required information. Spaces provided for up to four padlocks. Check with local OSHA regulations for proper lockout/tagout requirements.

