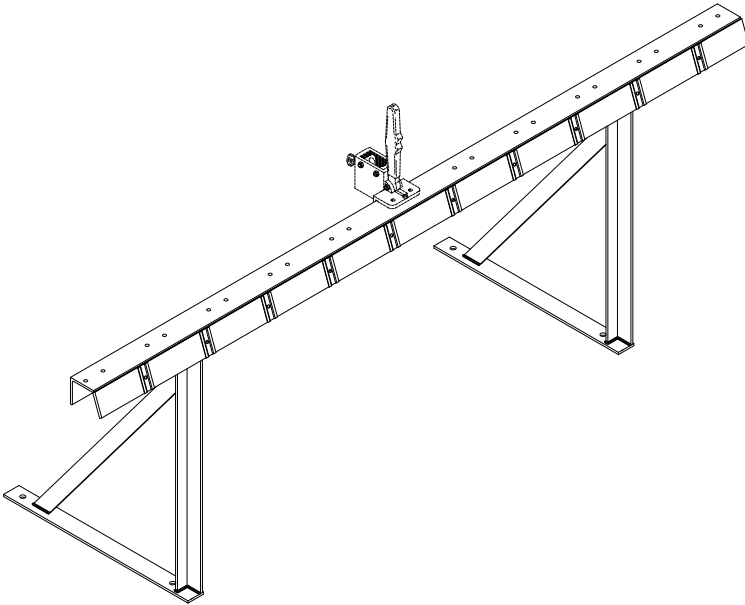


## Model 578 TEE GUIDE LOCKING RAIL

---

For use with tee and jay bar guides and Series 70 tension blocks. The locking rail is provided with a continuous index card strip and card holders for set identification. Standard set spacing is 6", 8" 9" and 12" on center. Please specify with ordering.



## Model 579 WIRE GUIDE LOCKING RAIL

---

For use with wire guide systems and 873 wire guide floor block. Locking rail assembly comes complete with steel angles for bottom arbor stop.

