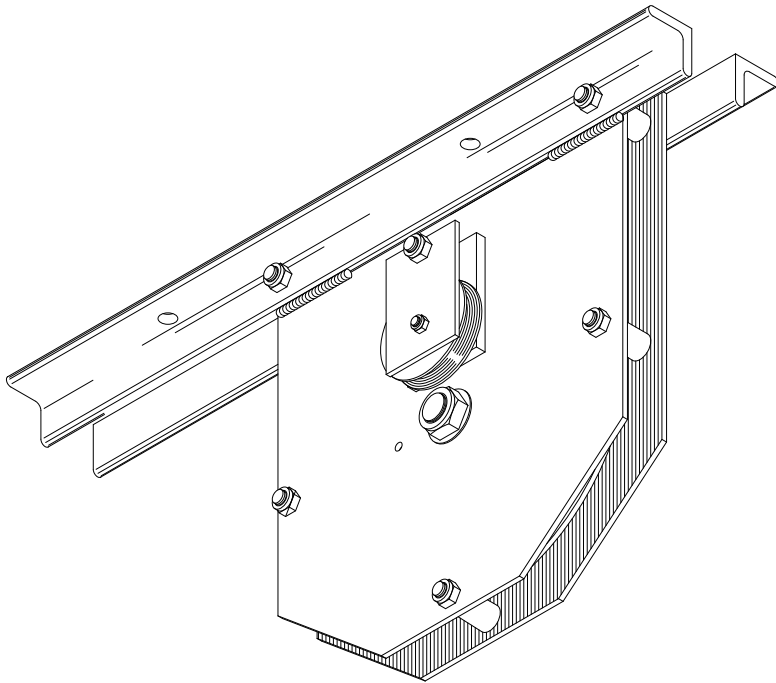




LOFT BLOCK IDLERS



Idlers are commonly used in underhung systems to reduce cable sag and eliminate noise. Loft blocks are outfitted with Nylatron GS ball bearing sheaves in descending quantities. Each lift line is supported as it passes adjacent to the loft block.

Idler assemblies are factory installed on series 30, 32, 42, 43 and 44 loft blocks. They may also be retrofitted onto many existing H & H Specialities loft blocks. Contact the factory for further information.

Model 830N25 with 1 Idler

Typical Idlers

