

Strong

GLADIATOR II®

Model #47050

“Follow with the Leader”

F E A T U R E S

- ✓ “Cold” Metal Reflector, 5600° K.
- ✓ Color-Matching Available when Ordering Multiple Units
- ✓ Six-Color, Self-Cancelling Boomerang with Color Filters & Ultraviolet Filter
- ✓ Horizontal Masking Control/Masking Shutter Blades
- ✓ Manual Dimming Control
- ✓ Nichrome Steel Iris
- ✓ Spot Size and Edge Focus Controls
- ✓ Selectable-Height Floor Stand with adjustable Friction Controls for both Vertical and Horizontal movement
- ✓ Remote “On-Off” Control Capability
- ✓ Elapsed Hour Meter & DC Ammeter on Lamphouse Instrument Panel



*The Standard by which
All Other Spotlights
are Measured* _____

The Gladiator II offers large venue operators and lighting designers another option at this level. The 2500 watt Gladiator II, like all other Strong xenon follow spotlights, is durably constructed and built for prolonged use in fixed and “road” situations.





GLADIATOR II[®]

ELECTRICAL SPECIFICATIONS

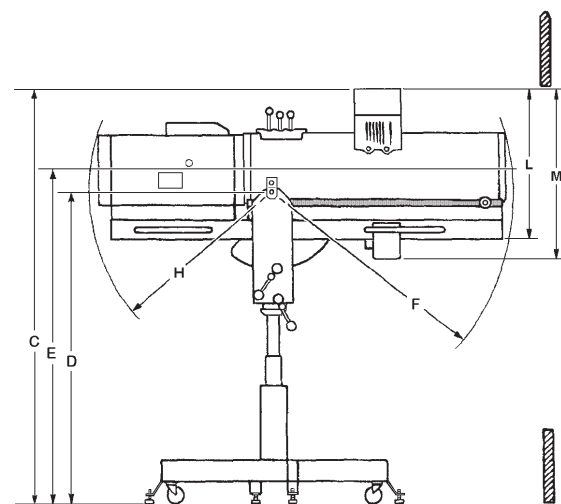
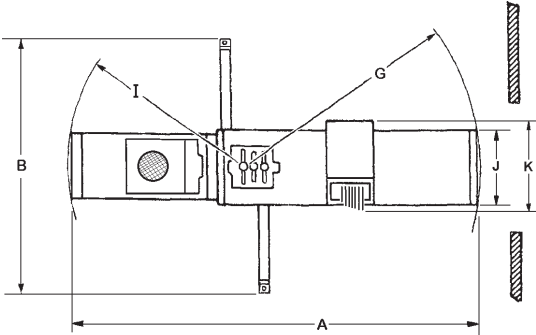
XENON GLADIATOR II – Model #47050

2500 W. Xenon

Figures based on measurements at 60', 70% field coverage, with new bulb

- 2500 watt Xenon Bulb system; input line 1 or 3 phase 208/230 V.A.C, 50/60 Hz. Approximate line draw 25 A. nominal sustaining. Fuse for 30 amperes at 220 V.A.C.
- Continuous Duty Cycle
- Quick-Disconnect MS Connector contains all AC & DC leads
- Xenon Power Supply is 88% efficient; ripple does not exceed 3% peak-to-peak, and inrush current does not exceed 180%

Throw Distance		Largest (Flood) with Iris open				Small (Spot) with Iris open				Minimum Diameter Iris closed			
		Diameter		Intensity		Diameter		Intensity		Diameter		Intensity	
Feet	Metres	Feet	Metres	FC	Lux	Feet	Metres	FC	Lux	Inches	Metres	FC	Lux
100	32.8	16.7	5.5	197	2,119	5.7	1.9	1,560	16,791	12.5	0.32	1,560	16,791
120	39.4	20	6.6	137	1,472	6.8	2.2	1,083	11,661	15	0.38	1,083	11,661
150	49.2	25.1	8.2	88	942	8.6	2.8	693	7,463	18.8	0.48	693	7,463
170	55.8	28.4	9.3	68	733	9.7	3.2	540	5,810	21.3	0.54	540	5,810
200	65.6	33.4	11	49	530	11.4	3.7	390	4,198	25	0.64	390	4,198
220	72.2	36.7	12	41	438	12.5	4.1	322	3,469	27.5	0.7	322	3,469
250	82	41.8	13.7	32	339	14.3	4.7	250	2,687	31.3	0.8	250	2,687
270	88.6	45.1	14.8	27	291	15.4	5.1	214	2,303	33.8	0.86	214	2,303
300	98.4	50.1	16.4	22	235	17.1	5.6	173	1,866	37.5	0.95	173	1,866
320	105	53.4	17.5	19	207	18.2	6	152	1,640	40	1.02	152	1,640
350	114.8	58.5	19.2	16	173	20	6.6	127	1,371	43.8	1.11	127	1,371
370	121.4	61.8	20.3	14	155	21.1	6.9	114	1,227	46.3	1.18	114	1,227
400	131.2	66.8	21.9	12	132	22.8	7.5	97	1,049	50	1.27	97	1,049



MECHANICAL SPECIFICATIONS

Letter/Description/Dimension

A	Overall length of unit	77½"	L	Height from base rail	27"
B	Overall width of unit	45"	M	Overall height of head unit	30"
C*	Overall height of unit	69"			
D*	Height of pivot point	43"		Maximum height at rear with maximum downward tilt*	84"
E*	Height of beam when horizontal	47"		Maximum height at front with maximum upward tilt*	82½"
F	Front clearance radius for vertical movement	44"			
G	Front clearance radius for horizontal movement	36"		Maximum downward tilt	45°
H	Rear clearance radius for vertical movement	36"		Maximum upward tilt	25°
I	Rear clearance radius for horizontal movement	37"		Horizontal sweep	360°
J	Width of lens barrel (without boomerang)	13½"		Net weight:	
K	Overall width of optical system	16"		Spotlight Head & Base	345 lb.
				Power Supply	42 lb.
				Gross weight (crated)	769 lb.
				Domestic pack shipping crate	89" x 43" x 26"

* Measurements shown with spotlight at lowest height. Adjustable upward in two increments of (4) inches.

Strong Entertainment Lighting

4350 McKinley Street • Omaha NE 68112 USA

Tel 402/453-4444 • Fax 402/453-7238