

**GENERAL INFORMATION**

The extreme functionality of the SmartPack built into a compact portable dimming system. This small touring rack provides easy operation and reliability as well as quiet performance.

- APPLICATIONS** Small to medium sized road shows  
Corporate or Ballroom events  
Portable dimming requirements in theatres or performance spaces
- PERFORMANCE** Sturdy and reliable performance  
Versatile control via DMX-512  
Easy plug and play operation
- FEATURES** Small compact design built to travel  
Room for 2 or 4 SmartPacks with choice of outputs  
Industrial grade road case with casters  
Front convenience outlets  
3/4-length rack slides for easy pack service/removal  
Cam-Lok power inputs  
Circuit breaker power distribution per pack  
User-selectable single phase/three phase  
**OPERATION** SmartLink enabled  
Variety of option panels  
Optional Main Circuit Breaker  
Optional Cam-Lok feed-thru panel

**ORDERING INFORMATION**

**SmartPack Touring System**

Model#	Description
2XSL620A	12 x 20A Touring System with Edison
2XSL620B	12 x 20A Touring System with Stage Pin
2XSL620C	12 x 20A Touring System with Twist-Lock®
2XSL620P	12 x 20A Touring System with PowerCon®
2XSL620V	12 x 20A Touring System with Multi-Pin
2XSL1210A	24 x 10A Touring System with Edison
2XSL1210B	24 x 10A Touring System with Stage Pin
2XSL1210P	24 x 10A Touring System with PowerCon®
2XSL1210V	24 x 10A Touring System with Multi-Pin
4XSL620A	24 x 20A Touring System with Edison
4XSL620B	24 x 20A Touring System with Stage Pin
4XSL620C	24 x 20A Touring System with Twist-Lock®
4XSL620P	24 x 20A Touring System with PowerCon®
4XSL620V	24 x 20A Touring System with Multi-Pin
4XSL1210A	48 x 10A Touring System with Edison
4XSL1210B	48 x 10A Touring System with Stage Pin
4XSL1210P	48 x 10A Touring System with PowerCon®
4XSL1210V	48 x 10A Touring System with Multi-Pin
1YRW-2XSL	1-Year Extended Warranty on 2-Pack
1YRW-4XSL	1-Year Extended Warranty on 4-Pack

Add **M** to the part number to indicate the Main Circuit Breaker option. For example, 2XSL1220B-M indicates a SmartPack touring system with two 12 x 10A SmartPack units with Stage Pin outputs and a 125A Main breaker.

Add **T** to the part number to indicate the Cam-Lok pass-thru option. For example, 2XSL1220B-T indicates a SmartPack Touring System with two 12 x 10A SmartPack units with Stage Pin outputs and the Cam-Lok Power Input with feed-thru panel.

Consult factory for alternate configurations.



# SmartPack® Touring System

## SmartPack Series

### SPECIFICATIONS

<b>GENERAL</b>	UL508A LISTED 1-Year Warranty Standard
<b>DIMMER PACKS</b>	Space for 2 or 4 SmartPack dimmer packs Optically Isolated DMX512 input and pass-thru on individual packs (self-terminating) Jumper cables provided to daisy-chain DMX Tested and pre-configured at the factory Menus set to English DMX set for addresses 1-12, 1-24 or 1-48 depending on the model of touring rack Output options based on rear output panels of individual packs: Edison, Stage Pin, Twist-Lock®, PowerCon®, or 6-Circuit Multi-Pin For more detailed information on SmartPacks, see SmartPack datasheet
<b>MECHANICAL</b>	2-pack system is in a 12 U case 4-pack system is in a 16 U case ABS laminated 3/8" ply with aluminum-extruded edging and tongue-and-groove mating surfaces for lid Removable front and back lids Zinc plated hardware including ball corners Butterfly twist latches Spring loaded deep recessed handles 360° Swivel 3.5" casters, two braking and two non-braking, 250lb-rated

<b>POWER DISTRIBUTION</b>	Equipment mounted to pre-drilled/threaded rack rail, with #10-32 hardened Phillips rack screws 3/4 – length rack slides from easy pack service/removal Cam-Lok E1016 Series input panel Voltage Range from 85 – 140VAC, 47 – 63 Hz Three phase power Indicators with test points Circuit breaker per pack, rated at 60 amps allowing for 100% full load operation in single phase All SmartPacks plug into power distro module via a flexible pigtail with connector - packs are interchangeable within the system Power connector per pack has locking tabs to prevent them from coming out during transit Convenience outlet panel standard - two Edison duplex outlets with a 20A fully rated magnetic circuit breaker Option panels (Sensor Touring Rack style) Optional 125A Main Circuit Breaker for 2-pack system, 250A MCB for 4-Pack system Optional Cam-Lok feed-thru panel
<b>THERMAL</b>	Ambient operation temperature between 32°F (0°C) and 95°F (35°C) Humidity between 30-95% (non-condensing) Front-to-back cooling in packs for better airflow in a stacked application

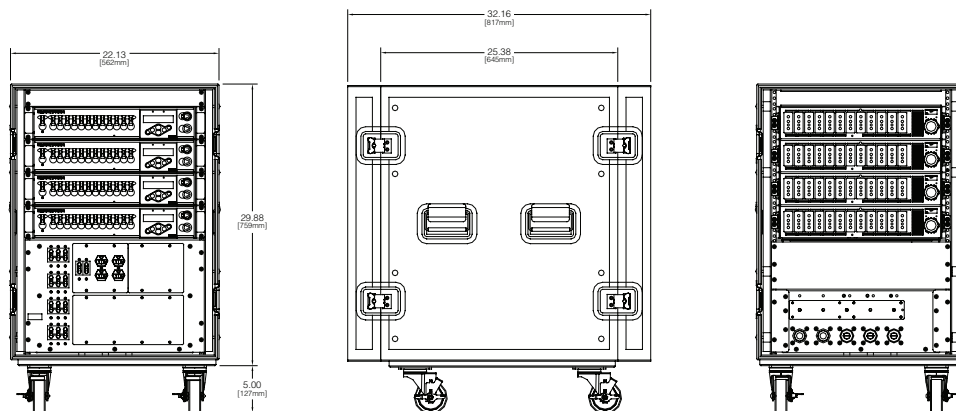
### PHYSICAL

2-Pack system weights approximately 200 lbs. (73 kg)  
4-Pack system weights approximately 275 lbs. (125 kg)

#### Product Dimensions

Model	Height		Width		Depth	
	inches	cm	inches	cm	inches	cm
2XSL620	22.00	710	22.00	562	32.20	817
2XSL1210	22.00	710	22.00	562	32.20	817
4XSL620	35.00	886	22.00	562	32.20	817
4XSL1210	35.00	886	22.00	562	32.20	817

#### 4XSL1210 Shown



**Corporate Headquarters** ■ 3031 Pleasant View Rd, PO Box 620979, Middleton WI 53562 0979 USA ■ Tel +1 608 831 4116 ■ Fax +1 608 836 1736  
**London, UK** ■ Unit 26-28, Victoria Industrial Estate, Victoria Road, London W3 6UU, UK ■ Tel +44 (0)20 8896 1000 ■ Fax +44 (0)20 8896 2000  
**Rome, IT** ■ Via Ennio Quirino Visconti, 11, 00193 Rome, Italy ■ Tel +39 (06) 32 111 683 ■ Fax +39 (06) 32 656 990  
**Holzkirchen, DE** ■ Ohmstrasse 3, 83607 Holzkirchen, Germany ■ Tel +49 (80 24) 47 00-0 ■ Fax +49 (80 24) 47 00-3 00  
**Hong Kong** ■ Room 605-606, Tower III Enterprise Square, 9 Sheung Yuet Road, Kowloon Bay, Kowloon, Hong Kong ■ Tel +852 2799 1220 ■ Fax +852 2799 9325  
**Web** ■ www.etcconnect.com ■ Copyright © 2003 ETC. All Rights Reserved. All product information and specifications subject to change. 7022L1000 Rev. B Printed in USA 07/06