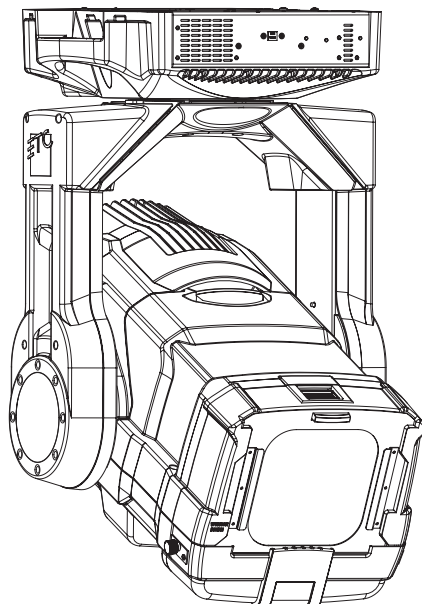




100V 115/120V 230/240V

with WYBRON® INSIDE

S4R Series



SPECIFICATIONS

Automated ellipsoidal lighting fixture

PHYSICAL

- Die cast aluminum construction
- Rugged plastic covers for field-serviceable areas
- CE marked and ETL tested to UL 1573 standards
- High strength yoke for hanging in any orientation

STANDARD FEATURES

- Integral ultra-quiet Pulse Width Modulated (PWM) 0-77V Dimmer
- 54° Pan / 270° Tilt
- 15°-35° Zoom
- QuietDrive™ low-noise motor control technology (Patent Pending)
- Advanced cooling design for ultra-quiet operation
- Integral 24-frame capacity color scroller with Wybron technology for speed and accuracy
 - Convenient quick-change gel cartridge
 - Ships with 12-color ETC standard gel string
- Accessory slot with retainer
- Internal Media Frame
 - For insertion of diffusion or color media into beam
- Soft to crisp focus for gobos
- Two module bays for the addition of optional features
 - Bays allow the tool-free installation of additional features
- Fixture power not required for addressing
- On-board test functions
- Pan and tilt locks for handling convenience

ELECTRICAL AND DATA

- 100V-240V, 50/60Hz, 950W peak power consumption
- Flicker-free electronic UPS and internal dimmer are auto-ranging for world-wide use.
- Power input via PowerCon™ connector.
- Efficient CAN-BUS protocol for simplified internal wiring harness
- Rotary switch address assignment

LAMP

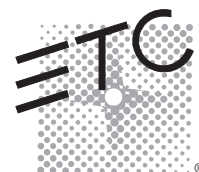
- QXL™ 750W/77V Maximum
- QXL – Quick eXchange Lamp provides one-hand replacement in seconds and disconnects lamp power automatically
- Ultra compact tungsten filament geometry contained in a Krypton/Xenon quartz envelope
- Both 300 hr. high-output and 1500 hr. long-life lamps available

OPTICAL

- Dual aspheric zoom lens system with deposition anti-reflective coating
- Faceted borosilicate reflector with dichroic cold mirror coating reflects greater than 95% of visible light
- 90% of infrared radiation (I/R heat) removed from projected light beam
- Reflector secured with anti-vibration shock mounts
- Lenses easily accessible for cleaning
- Tool-free, one-hand lamp centering (X/Y) and peak/flat (Z) adjustment knobs

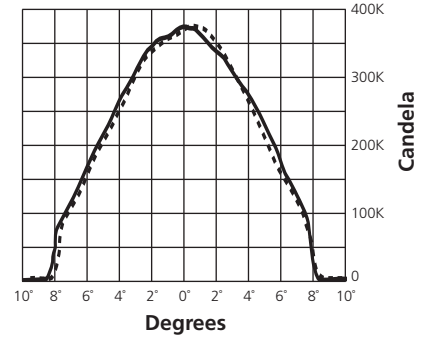
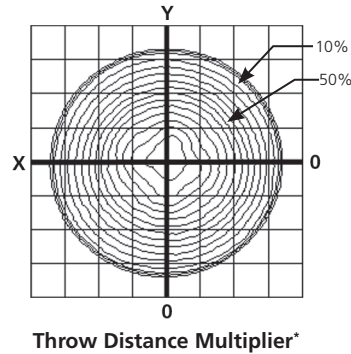
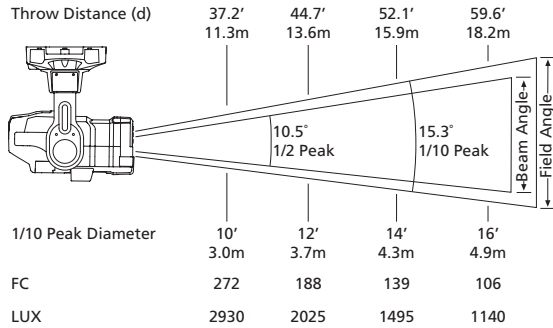
OPTIONAL MODULES

- Auto-sensing plug-and-play modules for additional features.
- Iris Module – for beam size control down to 2.5°
- Shutter Module – 4 blades with 90° rotation for full-function framing
- Static Wheel Module – 3 positions plus open
- Rotating Wheel Module – 3 positions plus open
 - Indexes with 16-bit accuracy
- Note: Static Wheel and Rotating Wheel modules accept M-sized steel or glass gobos and filters



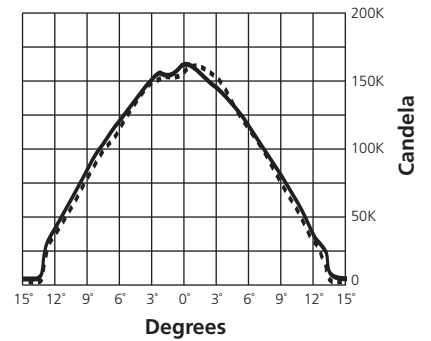
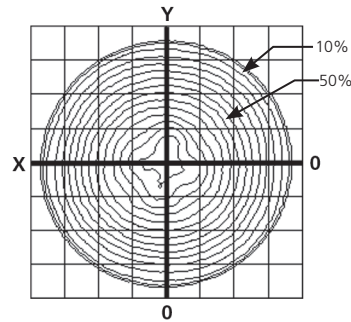
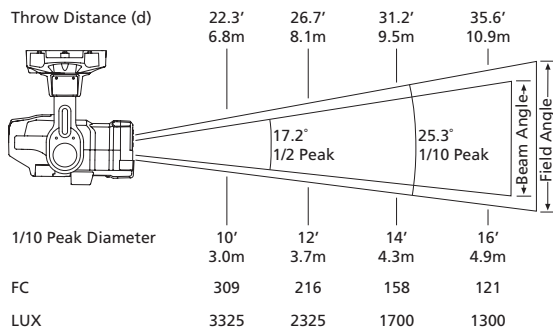
PHOTOMETRICS

Minimum Spread



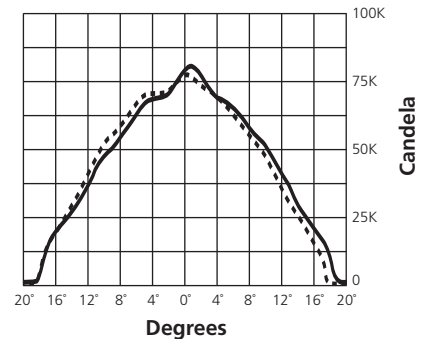
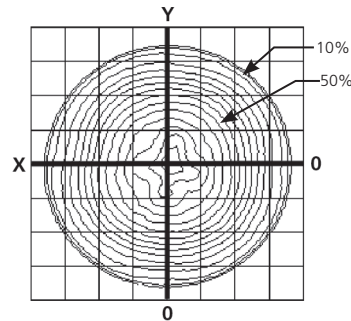
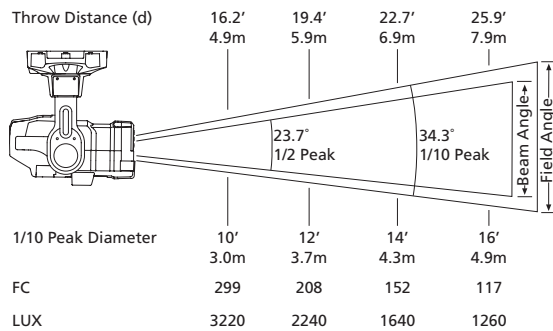
| Degree | Candela | Field Lumens | Beam Lumens | Efficiency | Lumens Per Watt |
|--------|---------|--------------|-------------|------------|-----------------|
| 15° | 376,520 | 10,830 | 7,060 | 47.19% | 14.4 |

Median Spread



| Degree | Candela | Field Lumens | Beam Lumens | Efficiency | Lumens Per Watt |
|--------|---------|--------------|-------------|------------|-----------------|
| 25° | 153,730 | 11,760 | 7,425 | 51.24% | 15.7 |

Maximum Spread

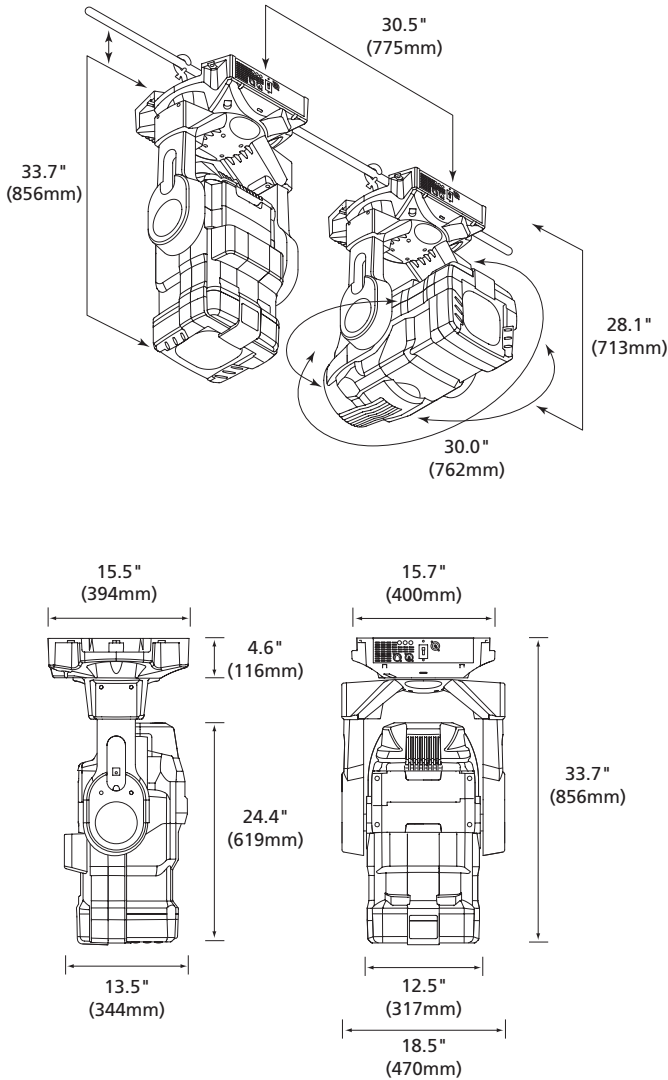


| Degree | Candela | Field Lumens | Beam Lumens | Efficiency | Lumens Per Watt |
|--------|---------|--------------|-------------|------------|-----------------|
| 35° | 78,410 | 10,950 | 6,925 | 47.71% | 14.6 |

All photometric data in this document was prepared using standard production fixtures, and the Prometric™ CCD measurement system. Fixtures were adjusted for blending (cosine) distribution, and were tested with a calibrated lamp at its rated voltage. All data were normalized to nominal lamp lumens. To determine illumination in footcandles or lux at any throw distance, divide candlepower by distance squared.

* (distance from origin) = (throw distance) x (throw distance multiplier)

PHYSICAL



Source Four Revolution Weights

| MODEL | WEIGHT | | SHIPPING WEIGHT | |
|-------|--------|------|-----------------|------|
| | lbs | kgs | lbs | kgs |
| S4R | 74 | 33.6 | 80 | 36.5 |

* Individual Module weights below.
Add to Base Fixture Weight for total weight of configured Revolution unit.

Source Four Revolution Modules Weights

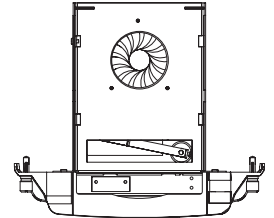
| MODEL | WEIGHT | | SHIPPING WEIGHT | |
|-------|--------|-----|-----------------|-----|
| | lbs | kgs | lbs | kgs |
| BM | 1.8 | .85 | 4 | 1.9 |
| IM | 3 | 1.4 | 4 | 1.9 |
| SWM | 3 | 1.4 | 4 | 1.9 |
| RWM | 3.7 | 1.7 | 5 | 2.3 |
| SM | 10.4 | 4.7 | 12 | 5.5 |

MODULES

The base Revolution unit is equipped with two module bays. The fixture holds one or two of the following modules in any combination. Modules insert without need for tools, disassembly or other luminaire modification.

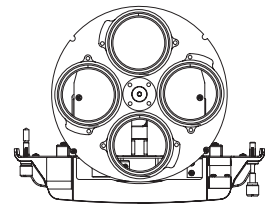
IRIS MODULE

- 18-leaf iris
- Smooth operation
- Simple, repeatable round beam-size control
- 2.5° minimum beam size (10.5 inches diameter at 20 feet)
- On-board auto-sensing electronics



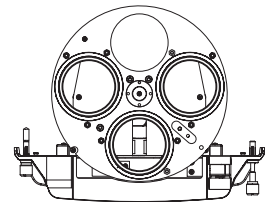
STATIC WHEEL MODULE

- Three slots, plus open
- Glass or steel gobos
- Dichroic color filters
- M-sized gobos or filters
- On-board auto-sensing electronics
- Recommended for use in front bay



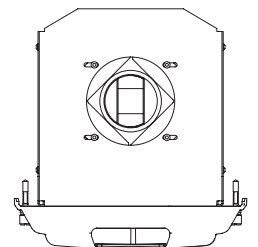
ROTATING WHEEL MODULE

- Rotating, counter-rotating and indexable gobos
- Steel and glass gobos accepted
- M-sized gobos
- On-board auto-sensing electronics
- Recommended for use in front bay



SHUTTER MODULE

- Four independent shutters on multiple planes
- Flexible beam shaping
- All shutters have 90-degree (+/- 45°) rotation
- On-board auto-sensing electronics
- For use in rear bay only



DMX CHANNEL ASSIGNMENTS

| DMX Channel | Function | Emphasis Attribute Name |
|-------------|--|-------------------------|
| 1 | Intensity | INT |
| 2 | Pan | PAN |
| 3 | Pan 2 | |
| 4 | Tilt | TILT |
| 5 | Tilt 2 | |
| 6 | Internal Media Frame | FROST |
| 7 | Focus | FOCUS |
| 8 | Zoom | ZOOM |
| 9 | Focus Timing | FocSpd |
| 10 | Color Timing | CSPD 1 |
| 11 | Beam Timing | GSPD 1 |
| 12 | Reset | MFUN |
| 13 | Gel 1 | Clr2 |
| 14 | Fan Speed Control | Fan Speed Control |
| 15 | Bay 1 – Iris | Lens |
| 16 | Bay 1 – Wheel Position | Gobo 1 |
| 17 | Bay 1 – Rotating Wheel Function | GROT1 |
| 18 | Bay 1 – Rotating Wheel Index/Rotation-Coarse | GFUN1 |
| 19 | Bay 1 – Rotating Wheel Index/Rotation-Fine | |
| 20 | Bay 2 – Wheel Position | Gobo 2 |
| 21 | Bay 2 – Rotating Wheel Function | GROT2 |
| 22 | Bay 2 – Rotating Wheel Index/Rotation-Coarse | GFUN2 |
| 23 | Bay 2 – Rotating Wheel Index/Rotation-Fine | |
| 24 | Blade 1 – In/Out | Fram1A |
| 25 | Blade 1 – Rotate | Fram1B |
| 26 | Blade 2 – In/Out | Fram2A |
| 27 | Blade 2 – Rotate | Fram2B |
| 28 | Blade 3 – In/Out | Fram3A |
| 29 | Blade 3 – Rotate | Fram3B |
| 30 | Blade 4 – In/Out | Fram4A |
| 31 | Blade 4 – Rotate | Fram4B |

ETC 12-COLOR STANDARD GEL STRING

| Frame | Color Number | Color Name |
|-------|--------------|-------------------|
| 1 | Roscolux 00 | Clear |
| 2 | Roscolux 33 | No Color Pink |
| 3 | Roscolux 13 | Straw Tint |
| 4 | Roscolux 57 | Lavender |
| 5 | Roscolux 348 | Purple Jazz |
| 6 | Roscolux 343 | Neon Pink |
| 7 | Roscolux 23 | Orange |
| 8 | Roscolux 371 | Theater Booster 1 |
| 9 | Roscolux 361 | Hemsley Blue* |
| 10 | Roscolux 83 | Medium Blue |
| 11 | Roscolux 26 | Light Red |
| 12 | Roscolux 89 | Moss Green |

The Internal Media Frame is shipped with RoscoLux 119

Rosco donates the proceeds of the sale of Hemsley Blue to the Hemsley Foundation for the benefit of lighting design students.



Corporate Headquarters • 3031 Pleasant View Rd, PO Box 620979, Middleton WI 53562 0979 USA • Tel +1 608 831 4116 • Fax +1 608 836 1736
London, UK • Unit 26-28, Victoria Industrial Estate, Victoria Road, London W3 6UU, UK • Tel +44 (0)20 8896 1000 • Fax +44 (0)20 8896 2000
Rome, IT • Via Ennio Quirino Visconti, 11, 00193 Rome, Italy • Tel +39 (06) 32 111 683 • Fax +39 (06) 32 656 990
Holzkirchen, DE • Ohmstrasse 3, 83607 Holzkirchen, Germany • Tel +49 (80 24) 47 00-0 • Fax +49 (80 24) 47 00-3 00
Hong Kong • Room 1801, 18/F, Tower 1 Phase 1, Enterprise Square, 9 Sheung Yuet Road, Kowloon Bay, Kowloon, Hong Kong • Tel +852 2799 1220 • Fax +852 2799 9325
Web • www.etcconnect.com • Copyright©2007 ETC. All Rights Reserved. All product information and specifications subject to change. 7160L1002 Rev. F Printed in USA 08/07
 Source Four® products protected by U.S. Patent Numbers 5,268,613, 5,345,371, 5,544,029, 5,446,637 and 5,775,799; Japanese Patent Number 2,501,772; US and International Patents Pending.

ORDERING INFORMATION

Source Four Revolution

| MODEL | DESCRIPTION |
|-------|---|
| S4R | Source Four Revolution automated ellipsoidal (black) ETC Source Four Revolutions are shipped with 12-color ETC standard gel string, two blank modules with integral M-sized gobo holder, User Manual, Safety Cable, ¹ Tether Eyebolt Kit, and 3' PowerCon™ to bare-end pigtail ¹ This small eyebolt kit is for installation by end-user if required to attach a safety cable to front of fixture for scroller cartridge and accessories. |

Also available in white.

Connector Options

| As above, except with optional connector as described | |
|---|--|
| S4R-A | 3' PowerCon to parallel blade U-ground connector pigtail |
| S4R-B | 3' PowerCon to two-pin and ground 20-amp pigtail (stage pin) |
| S4R-C | 3' PowerCon to Grounded 20-amp Twist-Lock® pigtail |

Lamps

| Lamp Code | Watts | Volts | Lumens | Color Temp. | Average Rated Life | Application |
|------------|-------|-------|--------|-------------|--------------------|-------------|
| QXL750/77 | 750 | 77 | 22,950 | 3250 | 300 hrs. | High Output |
| QXL750/77X | 750 | 77 | 18,000 | 3050 | 1500 hrs. | Long Life |

Modules

| Note: Modules are sold separately from fixture. Wheel Modules ship without gobos. Standard M-sized gobos are available from various vendors. | |
|--|-----------------------|
| IM | Iris Module |
| SWM | Static Wheel Module |
| RWM | Rotating Wheel Module |
| SM | Shutter Module |

Accessories

| | |
|-------|---|
| PA-X | PowerCon to bare-end pigtail |
| PA-A | PowerCon to parallel blade U-ground connector pigtail |
| PA-B | PowerCon to two-pin and ground 20-amp pigtail (stage pin) |
| PA-C | PowerCon to Grounded 20-amp Twist-Lock pigtail |
| BM | Blank Module |
| CSC | Color Scroller Cartridge (Does not include gel string) |
| SGS12 | Standard Gel String-12 color |
| RPC | Snap Clamp – hanging clamp for 2" pipe. Two per fixture required. |

Other standard ETC products including safety cable, C-clamps, top hats may also be used with Source Four Revolution.

Note: The Revolution standard gel color palette has changed from the previous version.