

SPECIFICATIONS

Strip configured washlight/borderlight

- PHYSICAL** Die cast and extruded aluminum construction
Sturdy sheet metal steel parts
Spring loaded gel frames
Eight-inch centered lamps
Tool-free lens and lamp access
UL and cUL listed
- ELECTRICAL** 115-240V, 50/60Hz
User configurable circuits for 12 cell unit
High temperature 3-conductor leads
- LAMP** 750 watt maximum
HPL – compact tungsten filament contained in a krypton filled quartz envelope
Patented filament geometry provides efficient light collection and transmission
Integral die cast aluminum heat sink lamp base
- LENSES** Four heat resistant, molded borosilicate glass lenses supplied for each lamp cell: very narrow spot (VNSP), narrow spot (NSP), medium flood (MFL), and wide flood (WFL).
Tool-free lens changing
- OPTICAL** Modified parabolic and multi-faceted reflector
Enhanced aluminum deposition process
Integral heat sink fins designed into reflector and body casting for thermal control

ORDERING INFORMATION

Source Four MultiPAR

Includes gel frames and lens sets

Model#	Description
MutiPAR-3	Three cell MultiPAR striplight
MultiPAR-4	Four cell MultiPAR striplight
MutiPAR-12	Twelve cell MultiPAR striplight

Connector Designation

Use Suffixes below to specify Factory-Fitted Connector type.

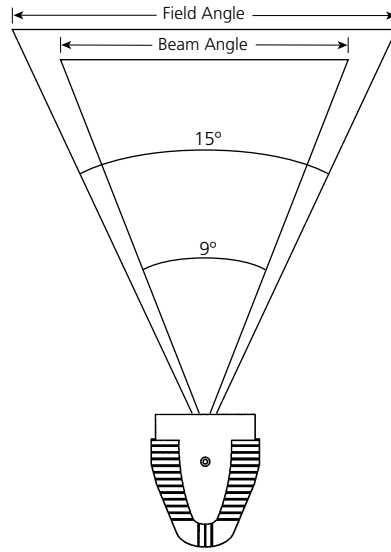
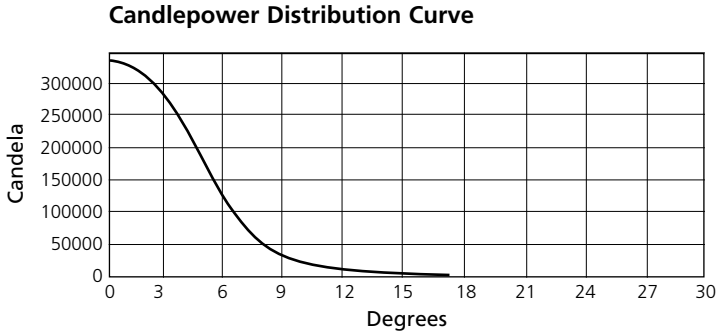
Suffix	Description
A	Parallel-blade U-ground connector
B	Two-pin and ground, 20 amp connector
C	Grounded, 20 amp twistlock connector



PHOTOMETRIC DATA

MultiPAR

Degree	Candlepower	Field Lumens	Efficacy	Efficiency
VNSP	330,000	10,100	13.5LPW	46%

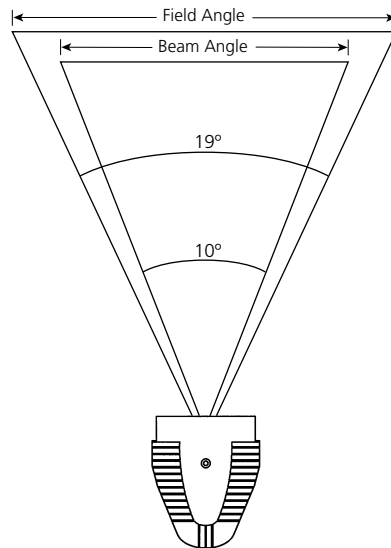
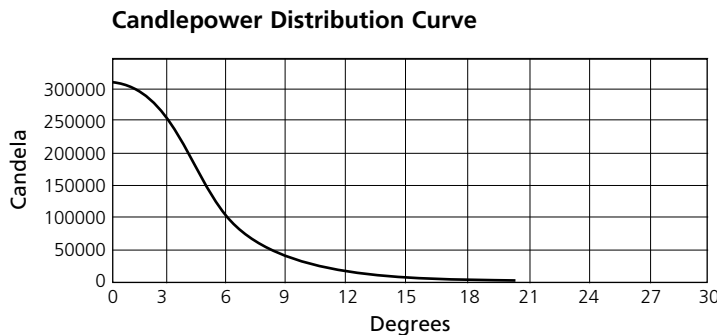


Distance (ft)	Illumination (fc)	
	Field Diameter (ft)	
	80	25
65	20	78
50	15.5	132
35	10.8	269

For Field diameter at any distance, multiply distance by .31
 For Beam diameter at any distance, multiply distance by .17

MultiPAR

Degree	Candlepower	Field Lumens	Efficacy	Efficiency
NSP	313,000	10,200	13.6LPW	47%



Distance (ft)	Illumination (fc)	
	Field Diameter (ft)	
	80	26
65	22	74
50	16.5	125
35	11.6	256

For Field diameter at any distance, multiply distance by .33
 For Beam diameter at any distance, multiply distance by .17

All photometric data in this document was prepared using standard production fixtures, and the Prometric™ CCD measurement system. Fixtures were adjusted for optimal distribution, and were tested with a calibrated HPL 750/115V 21,900 lumens lamp at its rated voltage. All data were normalized to nominal lamp lumens.

For illumination with any lamp, multiply the candlepower of a beam spread by the multiplying factor (mf) shown for that lamp.

To determine illumination in footcandles or lux at any throw distance, divide candlepower by distance squared.

Metric Conversions: For Meters multiply feet by .3048
 For Lux multiply footcandles by 10.76

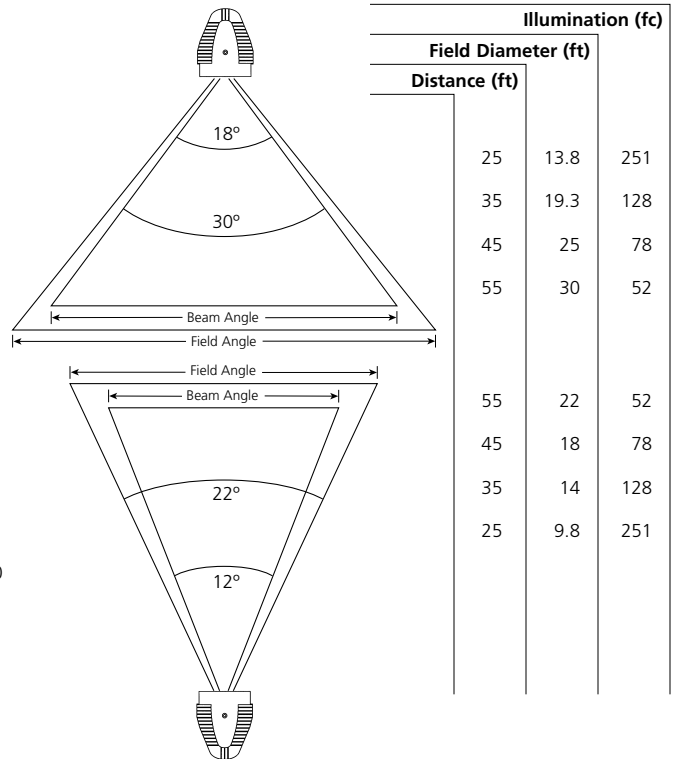
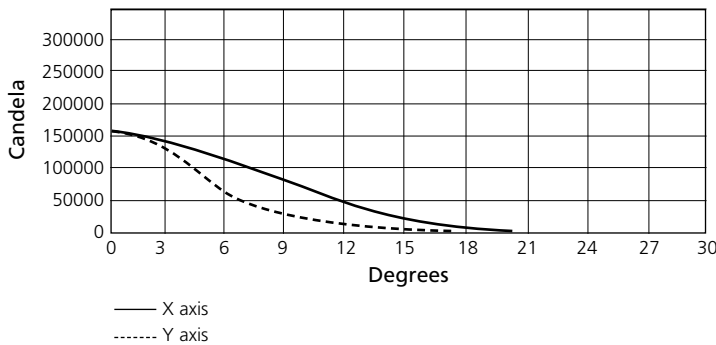
Source Four® MultiPAR-3, 4, 12

MultiPAR Series

MultiPAR

Degree	Candlepower	Field Lumens	Efficacy	Efficiency
MFL	157,000	10,800	14.4LPW	49%

Candlepower Distribution Curve

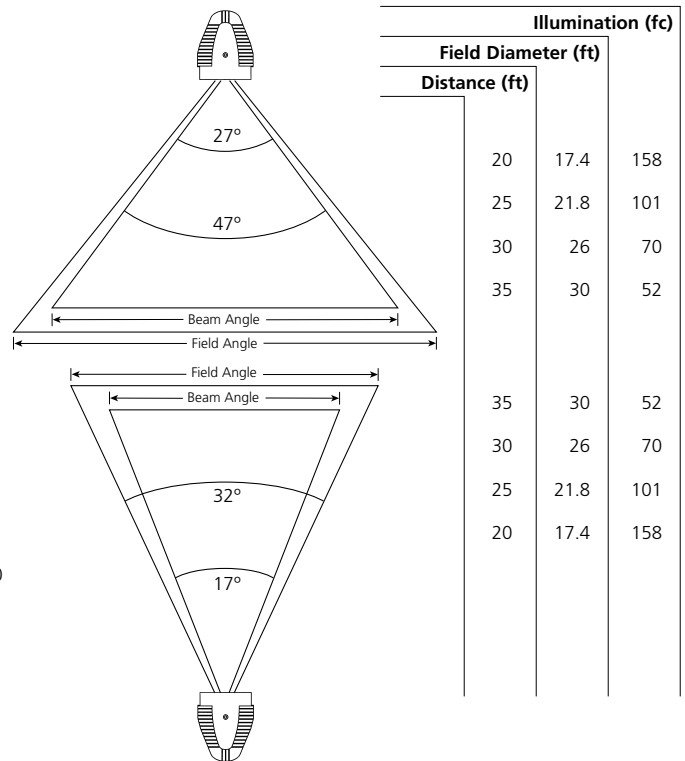
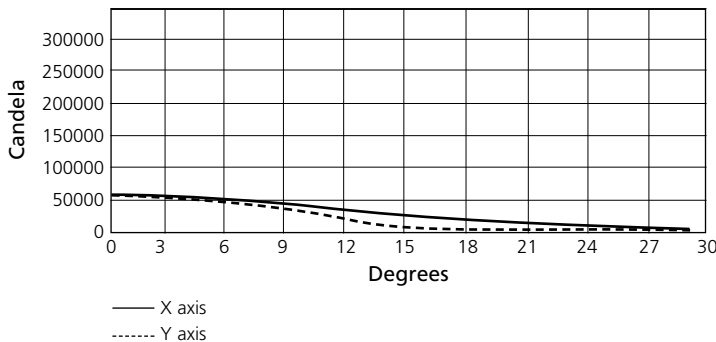


For Field diameter at any distance, multiply distance by .55 / .39
 For Beam diameter at any distance, multiply distance by .32 / .21

MultiPAR

Degree	Candlepower	Field Lumens	Efficacy	Efficiency
WFL	63,300	10,000	13.3LPW	46%

Candlepower Distribution Curve



For Field diameter at any distance, multiply distance by .87 / .57
 For Beam diameter at any distance, multiply distance by .48 / .30

All photometric data in this document was prepared using standard production fixtures, and the Prometric™ CCD measurement system. Fixtures were adjusted for optimal distribution, and were tested with a calibrated HPL 750/115V 21,900 lumens lamp at its rated voltage. All data were normalized to nominal lamp lumens.

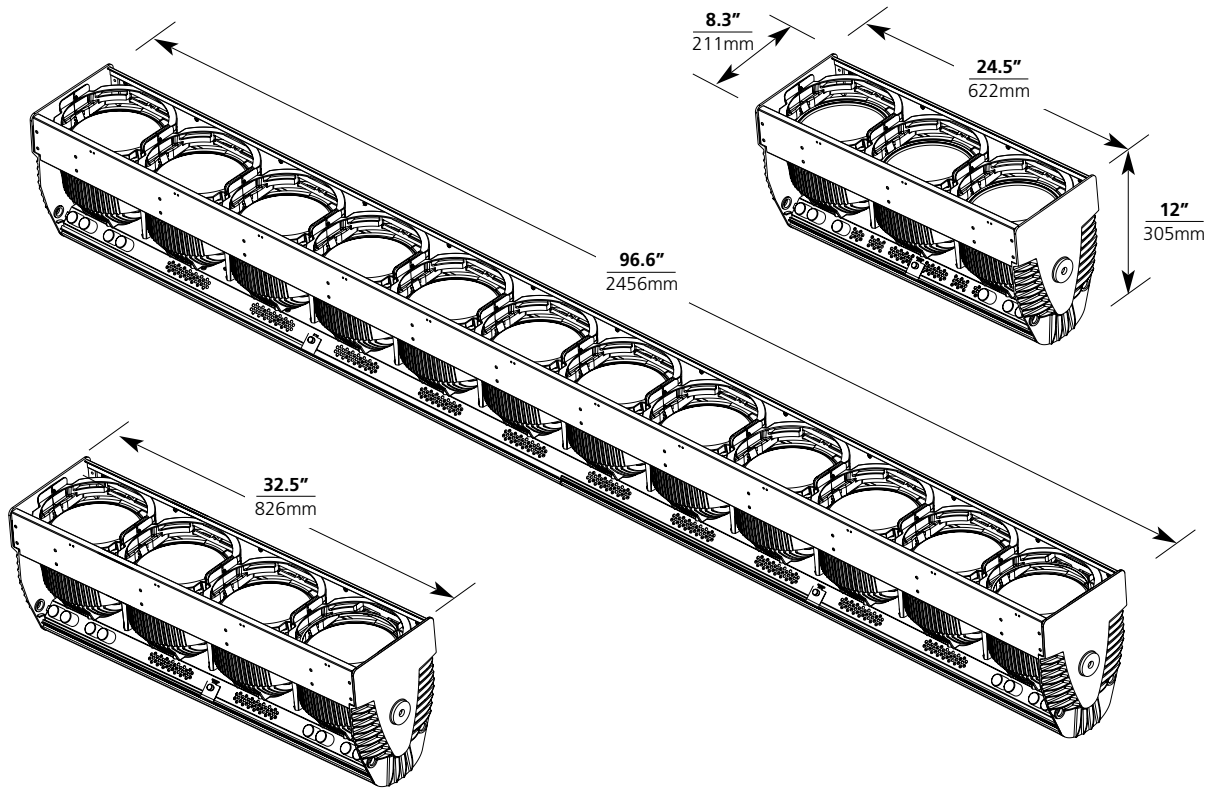
For illumination with any lamp, multiply the candlepower of a beam spread by the multiplying factor (mf) shown for that lamp.

To determine illumination in footcandles or lux at any throw distance, divide candlepower by distance squared.

Metric Conversions: For Meters multiply feet by .3048
 For Lux multiply footcandles by 10.76

Source Four® MultiPAR-3, 4, 12

MultiPAR Series



WEIGHTS

Source Four MultiPAR Weights

Model	Weight		Shipping Weight	
	lbs	kgs	lbs	kgs
MultiPAR-3	27	12.2	47	21.3
MultiPAR-4	32	14.5	55	24.9
MultiPAR-12	80	36.3	128	58.1

Model	Weight	
	lbs	kgs
Hangar Brackets (2)	3	1.4
MultiPAR-12	5	2.3
Trunnions (2)	5	2.3

Model	Weight	
	lbs	kgs
Lens Kit	2	0.9
MultiPAR-3 Lens Kit	6	2.7
MultiPAR-4 Lens Kit	8	3.6
MultiPAR-12 Lens Kit	24	10.9

* Shipping weights include C-Clamp, Hangar Brackets and Lens Kit. Subtract 3lbs. for Trunnions.

LAMPS

Lamp Code	Watts	Volts	Average Rated Life	Color Temp.	Initial Lumens	MF
HPL 750/115	750	115	300	3,250°	21,900	1.00
HPL 750/115X	750	115	1000	3,050°	16,400	.76
HPL 750/120	750	120	300	3,250°	21,900	1.00
HPL 750/230	750	230	300	3,200°	19,750	.91
HPL 750/230X	750	230	1500	3,050°	15,600	.69
HPL 750/240	750	240	300	3,200°	19,750	.91
HPL 750/240X	750	240	1500	3,050°	15,600	.69
HPL 575/115	575	115	300	3,250°	16,520	.87
HPL 575/115X	575	115	2000	3,050°	12,360	.66
HPL 575/120	575	120	300	3,250°	16,520	.87
HPL 575/120X	575	120	2000	3,050°	12,360	.66
HPL 575/230	575	230	400	3,200°	14,900	.76
HPL 575/230X	575	230	1500	3,050°	11,780	.61
HPL 575/240	575	240	400	3,200°	14,900	.76
HPL 575/240X	575	240	1500	3,050°	11,780	.64
HPL 550/77*	550	77	300	3,250°	16,170	.87
HPL 550/77X*	550	77	2000	3,050°	12,160	.66
HPL 375/115	375	115	300	3,250°	10,540	.55
HPL 375/115X	375	115	1000	3,050°	8,000	.43
HPL 375/230X	375	230	1000	3,000°	7,250	.38
HPL 375/240X	375	240	1000	3,000°	7,250	.38

*77V lamps are intended for use with the ETC Dimmer Doubler™.

Warning: Use of lamps other than HPL will void UL/cUL safety approval and product warranty. Source Four is rated for 750W maximum.



Corporate Headquarters ■ 3031 Pleasant View Rd, PO Box 620979, Middleton WI 53562 0979 USA ■ Tel +1 608 831 4116 ■ Fax +1 608 836 1736
London, UK ■ Unit 26-28, Victoria Industrial Estate, Victoria Road, London W3 6UU, UK ■ Tel +44 (0)20 8896 1000 ■ Fax +44 (0)20 8896 2000
Rome, IT ■ Via Ennio Quirino Visconti, 11, 00193 Rome, Italy ■ Tel +39 (06) 32 111 683 ■ Fax +39 (06) 32 656 990
Holzkirchen, DE ■ Ohmstrasse 3, 83607 Holzkirchen, Germany ■ Tel +49 (80 24) 47 00-0 ■ Fax +49 (80 24) 47 00-3 00
Hong Kong ■ Room 605-606, Tower III Enterprise Square, 9 Sheung Yuet Road, Kowloon Bay, Kowloon, Hong Kong ■ Tel +852 2799 1220 ■ Fax +852 2799 9325
Web ■ www.etcconnect.com ■ Copyright © 2006 ETC. All Rights Reserved. All product information and specifications subject to change. 7061L1012 Rev. E Printed in USA 07/06

Source Four® products protected by U.S. Patent Numbers 5,268,613, 5,345,371, 5,544,029, 5,446,637 and 5,775,799; Japanese Patent Number 2,501,772; US and International Patents Pending.