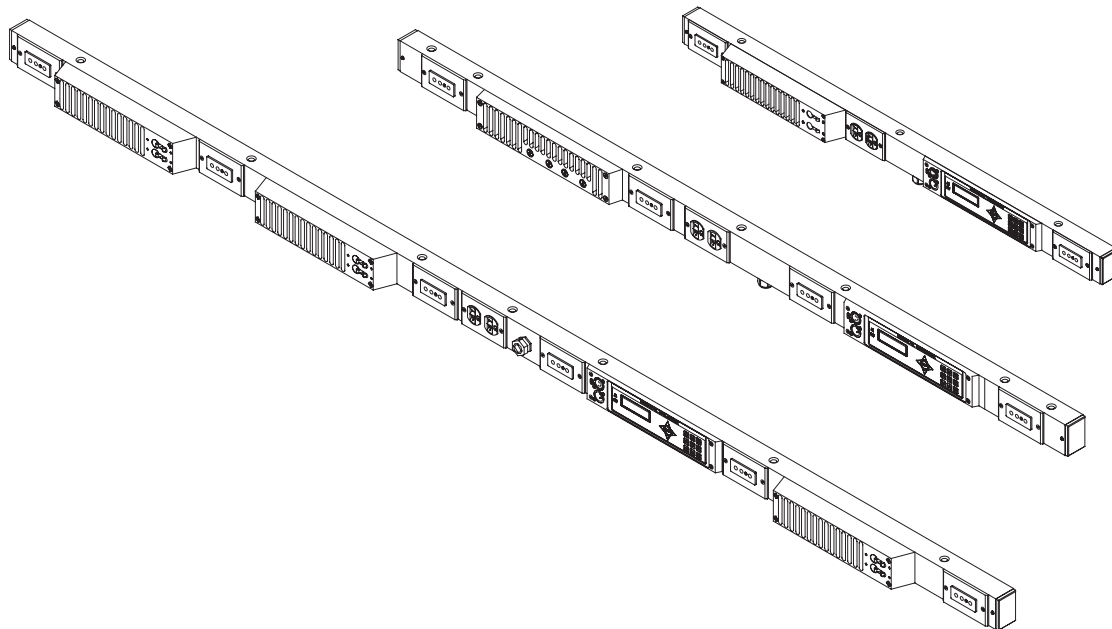




120V

Smart Solutions™ Series



GENERAL INFORMATION

SmartBars are small linear dimmer bars that allow direct fixture mounting. Simple to use, the SmartBar provides a practical and versatile distributed dimming solution for small venues, rental applications and industrial presentations. The only connections needed are main power and DMX data.

APPLICATIONS

- Applications requiring distributed dimming and position flexibility:
 - Industrial productions
 - Rental productions
 - Convention and conference centers
 - Multi-use venues: gymnasiums, cafeteriums, multimedia rooms
 - TV Studios
 - Casinos
 - Discos

FEATURES

- 2, 4 or 6 dimmer versions available
- Digital forward-phase dimming
- Convection cooled
- Integrated suspension points for fixtures
- Choice of output connectors
- DMX 512 compliant
- LCD display with graphic channel level indication
- Local manual control for stand alone operation
- User-selectable dimmer curves
- Individual channel features: non-dim, max & min levels, response speed
- 20 chases or sequences

ORDERING INFORMATION

SmartBar

MODEL	DESCRIPTION
SB4-6-A	4 x 6A (720W) SmartBar with Edison connectors
SB4-6-B	4 x 6A (720W) SmartBar with Stage Pin connectors
SB4-6-C	4 x 6A (720W) SmartBar with Twist-Lok connectors
SB2-10M-A	2 x 10A (1200W) SmartBar with Edison connectors
SB2-10M-B	2 x 10A (1200W) SmartBar with Stage Pin connectors
SB2-10M-C	2 x 10A (1200W) SmartBar with Twist-Lok connectors
SB6-10M-A	6 x 10A (1200W) SmartBar with Edison connectors
SB6-10M-B	6 x 10A (1200W) SmartBar with Stage Pin connectors
SB6-10M-C	6 x 10A (1200W) SmartBar with Twist-Lok connectors

SmartBar Accessories

MODEL	DESCRIPTION
400CC	C-Clamps
400SC	Safety cable
ST	SmartStand and adapter (casters optionals)

Suggested Fixtures

MODEL	DESCRIPTION
S4 jr	Source Four junior or junior zoom ellipsoidals
S4 PAR	Source Four PAR EA or MCM*
S4	Source Four ellipsoidals*

*Lamped at 375W or 575W based on SmartBar power capacity



Smart Solutions™ Series

SPECIFICATIONS

GENERAL

- 2, 4 or 6 dimmer versions available
- 4 x 6A, 2 x 10A and 6 x 10A
- UL Listed
- Installation requires attachment of safety cables, main power via flexible cable and data via DMX

MECHANICAL

- Manufactured of strong, thick walled aluminum with a black anodized finish
- Integrated sleeved suspension points for fixtures and for mounting hardware (C-clamps or stand adapters)
- Supplied with five 3-1/2" long, 1/2" bolts and appropriate hardware for fixture mounting
- Convection cooled – operates without cooling fans or filters.

ELECTRICAL

- 120/208V 60Hz Mains supply
- 4 x 6A and 2 x 10A: Single phase 2-wire plus ground, 20A feed
- 6 x 10A: Three phase 4-wire plus ground, 20A feed
- Input Power via an attached flexible 12' SO feed cord and bare-ends (connector not supplied)
- Total load can not exceed capacity of main power connection (wall outlet, 15A, 20A)
- 10W Minimum load per dimmer
- Edison, Stage Pin or Twist-Lok outlets (1 per circuit)
- Single duplex auxiliary outlet centered on bar
- 6A units: fuse for load protection per dimmer
- 10A units: circuit breaker for load protection
- Quality rise time filtering measured at 120us (6A) and 320us (10A)

Note: Not designed for use with fluorescent ballasts

SPECIFICATIONS

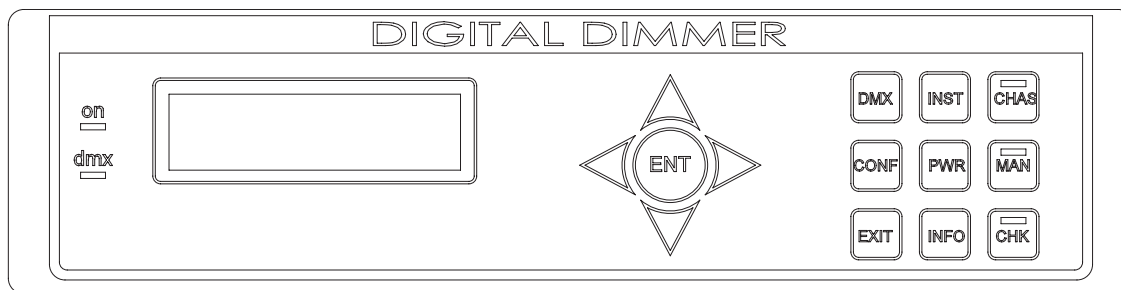
THERMAL

- Maximum ambient temperature of 104°F (40° C)
- Humidity between 30 - 95% non-condensing
- Natural convection cooling from front-mounted heatsinks
- Optimum cooling when mounted horizontally with the control panel vertical

CONTROL FEATURES

- DMX512 In and Thru via 5Pin XLR connectors
- Supports up to 32 SmartBars on one DMX line
- High contrast 2-line by 20-character backlit LCD with graphic channel level indication
- 9-button keypad plus arrow array and Enter button
- 2 status LED indicators: Power and Valid DMX
- Soft patch any dimmer to any DMX channel
- Programmable options per channel: max/ min levels, response time, non-dim operation, dimmer curve (Fluorescent curve not available at 120V operation)
- Local manual control and 20 chase patterns for stand alone operation
- Programmable start modes with soft start for higher wattage lamps and burst start for cold filaments
- DMX Backup settings – Selectable Data Loss Behavior
- Password protection for access to DMX, Configuration and Install menus

CONTROL PANEL



ENT & cursor arrows: ENT (Enter) completes a programming step and records the information in the memory. The four cursor arrows provide navigation through the setup menu, and the means to enter data.

DMX: Selects DMX address per channel when the single mode is selected or the first address of the group when the joined mode is selected.

INST: Install function. To set-up dimmer functionality during installation with options as follows:

- DMX configuration (individual or combined)
- Channel configuration (individual or combined)
- Channel information
- Password set-up
- Dimmer hardware configuration
- Minimum level reset (preheat off when DMX is not present)
- Factory reset
- Sleep mode
- DMX backup levels
- DMX failure options

CHAS (with LED): Chase. Provides set-up for the dimmer's internal chase system for stand-alone display effects (The LED illuminates when the dimmer is in the 'chase mode).

CONF: Configure. Access to a sub-menu to set the detailed configuration for individual or combined dimmer channels.

PWR: Power. This function is not available in this product line.

MAN: Manual. Provides manual control of each channel for circuit testing and pre-setting.

EXIT: Returns to the opening screen menu option without recording changes.

INFO: Information. Provides a display of the nominal supply voltage and installed software version.

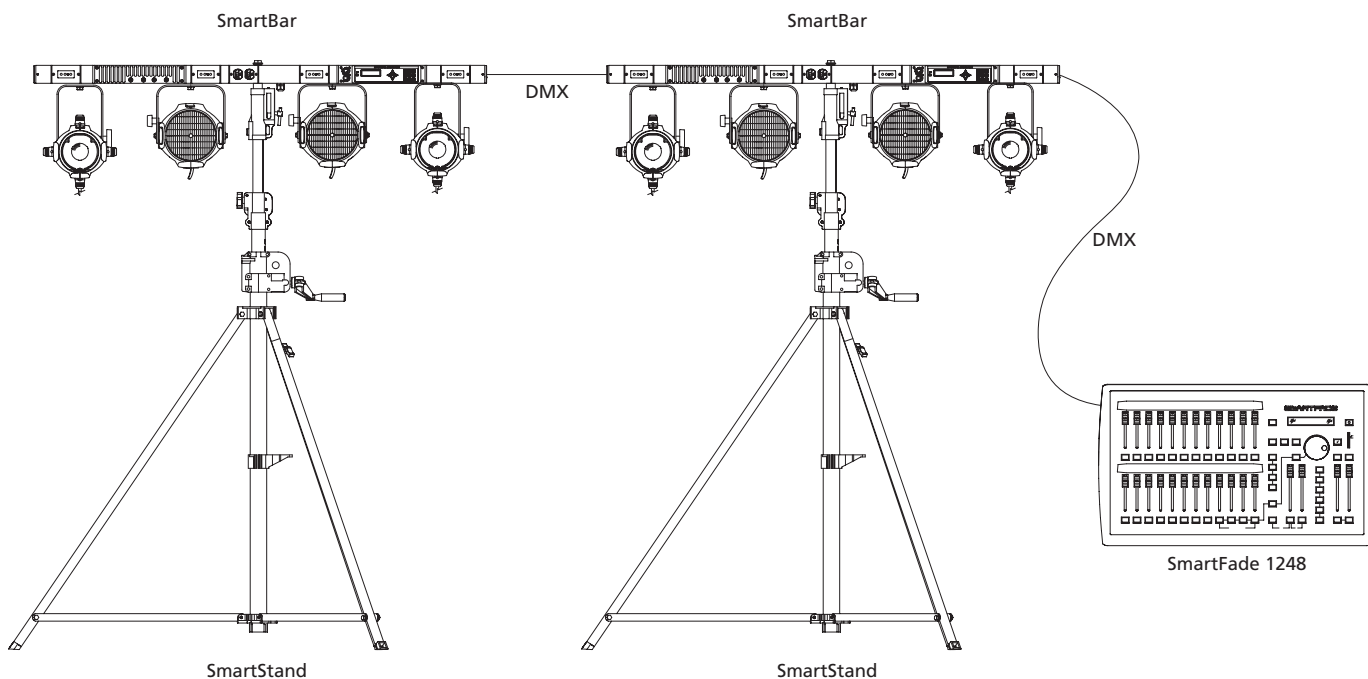
CHK (with LED): Check. Displays a log of any circuit or dimmer faults (LED illuminates if an error occurs).

ON LED: Illuminates blue when power is applied.

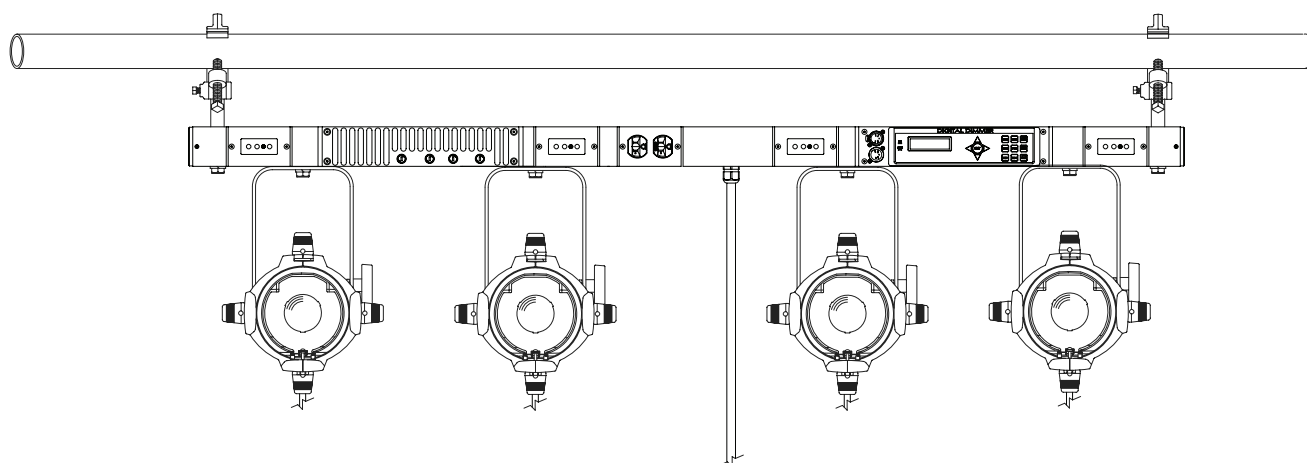
DMX LED: Illuminates red continuously when valid DMX is present. LED flashes when there is no DMX signal.

TYPICAL APPLICATIONS

SMARTBARS ON SMARTSTANDS



SMARTBAR WITH C-CLAMPS ON PIPE



PHYSICAL

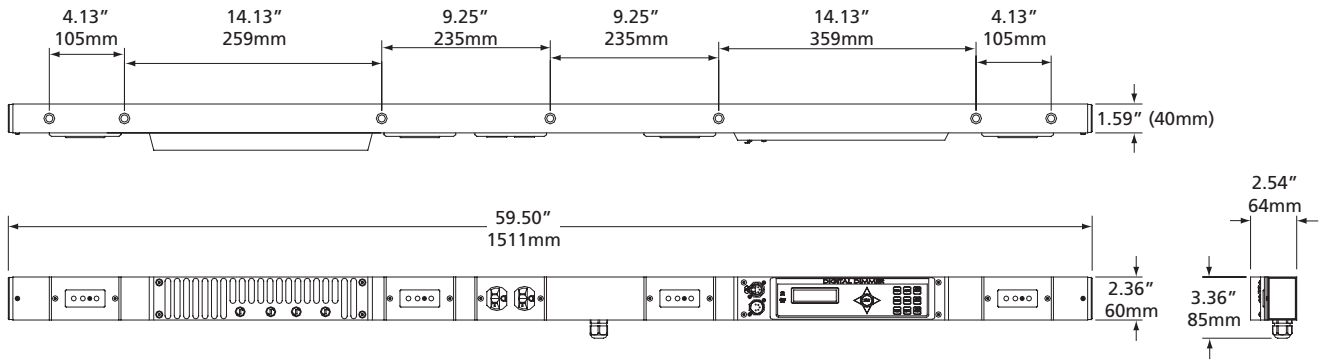
SmartBar Dimensions

Model	Height		Width		Length	
	inches	mm	inches	mm	inches	mm
SB4-6	2.36	60	2.54	64	59.5	1500
SB2-10	2.36	60	3.1	79	42.5	1000
SB6-10	2.36	60	3.1	79	87.8	2200

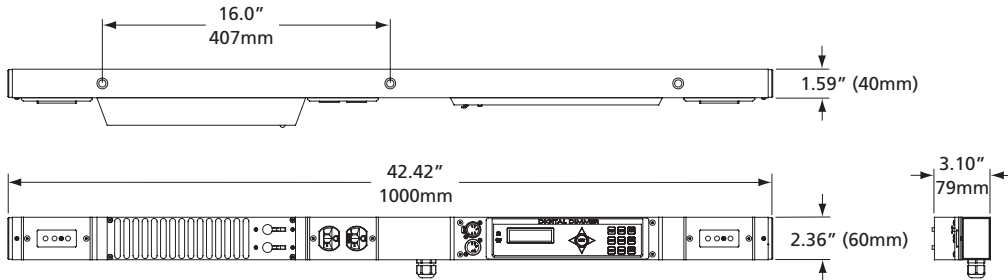
SmartBar Weights

Model	Weight	
	lbs	kgs
SB4-6	12	5.5
SB2-10	15	6.8
SB6-10	27.8	12.6

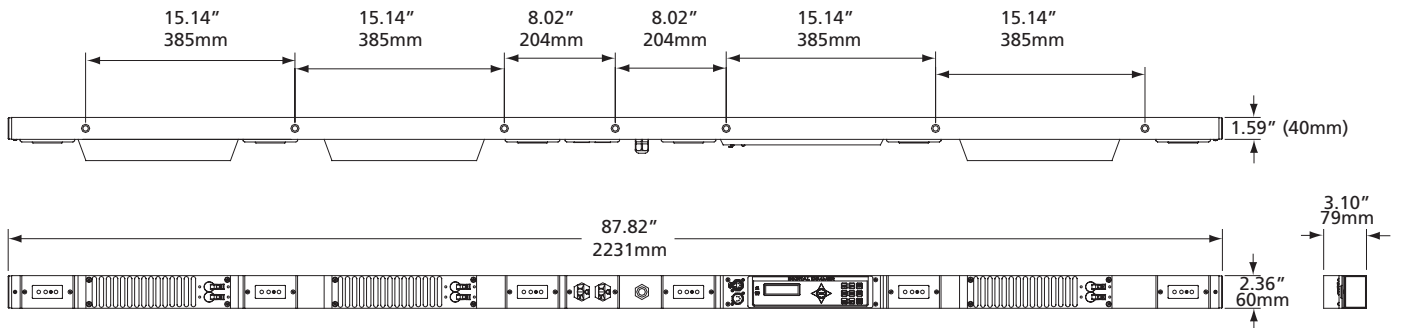
SB4-6-B



SB2-10-B



SB6-10-B



Corporate Headquarters • 3031 Pleasant View Rd, PO Box 620979, Middleton WI 53562 0979 USA • Tel +1 608 831 4116 • Fax +1 608 836 1736
 London, UK • Unit 26-28, Victoria Industrial Estate, Victoria Road, London W3 6UU, UK • Tel +44 (0)20 8896 1000 • Fax +44 (0)20 8896 2000
 Rome, IT • Via Ennio Quirino Visconti, 11, 00193 Rome, Italy • Tel +39 (06) 32 111 683 • Fax +44 (0)20 8752 8486
 Holzkirchen, DE • Ohmstrasse 3, 83607 Holzkirchen, Germany • Tel +49 (80 24) 47 00-0 • Fax +49 (80 24) 47 00-3 00
 Hong Kong • Room 1801, 18/F, Tower 1 Phase 1, Enterprise Square, 9 Sheung Yuet Road, Kowloon Bay, Kowloon, Hong Kong • Tel +852 2799 1220 • Fax +852 2799 9325
 Web • www.etcconnect.com • Copyright©2008 ETC. All Rights Reserved. All product information and specifications subject to change. 7501L1003 Rev. C Printed in USA 06/08